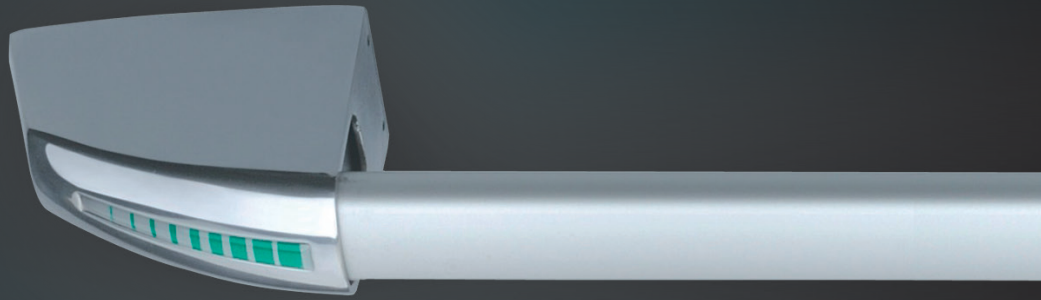


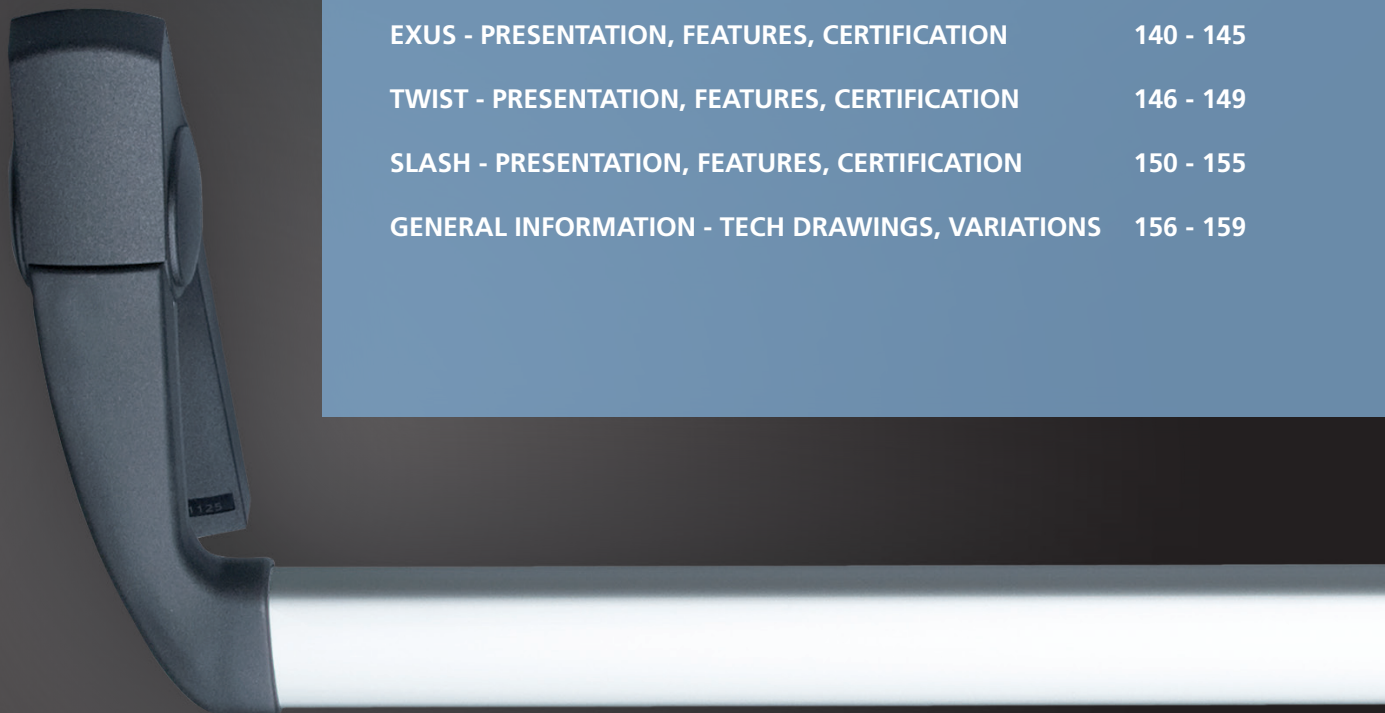
**"safety is in
your hands"**





Emergency handles Panic bars

PROVISIONS / STANDARDS	126 - 130
EMERGENCY EXIT HANDLES	131 - 139
EXUS - PRESENTATION, FEATURES, CERTIFICATION	140 - 145
TWIST - PRESENTATION, FEATURES, CERTIFICATION	146 - 149
SLASH - PRESENTATION, FEATURES, CERTIFICATION	150 - 155
GENERAL INFORMATION - TECH DRAWINGS, VARIATIONS	156 - 159



Provisions/Standards

For emergency exit devices / Anti-panic devices for escape routes



EN 1125:2008 AND EN 179:2008 STANDARDS

New European standards for CE marked safety exit and emergency exit devices entered into effect on 01 January 2010, replacing the previous EN 1125: 1997 + A1:2001 and EN 179:1997 standards.

Standard EN 1125: 2008 specifies the requirements for manufacturing, performance levels and testing of anti-panic exit devices activated mechanically by a horizontal bar and designed for specific use in panic situations along escape routes.

Standard EN 179: 2008 specifies the requirements for the manufacturing, performance levels and testing of emergency exit devices activated mechanically by a lever handle or push panel.

CE conformity of the anti-panic and emergency exit devices with the standard requirements must be demonstrated by initial type testing and production controls carried out by the manufacturer under the continuous observation of the certifying body.

Performance and safety requirements

- Device selection depends on the risk analysis of its use when installed along escape routes or emergency exits.
- Anti-panic devices are only required to conform with standard EN 1125, permitting exit at any time by a single operation on the horizontal bar that requires no prior knowledge of how the device functions and that permits opening even when the door is subjected to a load. These requirements simulate the forces that could be applied by people who are in a state of panic.
- Standard EN 179 concerns emergency devices designated for use in emergency situations involving people who are accustomed to using safety exits and their devices, and who are therefore unlikely to be taken by panic.
- Devices for anti-panic or emergencies must be designed so that the door can be opened from the inside at any time in less than 1 second.
- Materials used for anti-panic exit devices must remain operational at temperatures between -10° and + 60°.
- **Verification is required for suitability of use with fire/smoke resistant doors, and this verification may only be received by passing a fire resistance test on both sides of the door in conformity with EN 1634-1.**
- **It is extremely important that anti-panic and emergency devices not be used on fire doors that have a higher fire resistance time than the level for which the device itself has been approved.**
- To reduce the risk of entrapping fingers and/or blocking the device, checks based on visual inspection and measurement with appropriate calipers is prescribed.
- Protrusions and corners that could cause harm to persons must be smoothed down.
- Anti-panic or emergency exit devices that activate upper and lower vertical rods (on the inactive leaf, for instance) must ensure that manipulation of the lower rod does not activate the upper rod.
- The strike box mounted on the floor must not rise higher than 15 mm and must be tapered in the direction of the escape route.
- Periodic lubrication must be possible without requiring disassembly of the device.
- For door mass greater than 200 kg and leaf dimensions greater than 1320 x 2520 mm, additional testing under harsher conditions are required.
- The durability of the device may be classified as grade 6 (100,000 cycles) or grade 7 (200,000 cycles). For inactive leaves, grade 6 corresponds to 10,000 cycles, and for grade 7 - 20,000 cycles.
- The presence of an external door furniture (key, cylinder, lever handle, doorknob, etc.) must not in any way interfere with the activation of the internal anti-panic or emergency device.
- **External door furnitures other than those provided by the anti-panic device manufacturer is not considered to conform with standards.**
- External door furnitures provided by the manufacturer may have either manual or electrical operation (e.g., electric handle or lock activated electrically by the handle).
- The material used to make the device must not contain or release dangerous substances in greater amounts than prescribed by European standards or national regulations.
- Anti-panic and emergency exit devices must be accompanied by clear, detailed instructions for installation

Provisions/Standards

For emergency exit devices / Anti-panic devices for escape routes



and maintenance, including a list of all of the elements that have been tested and approved for use of the device and that could be provided separately.

- **It is essential for anti-panic and emergency exit devices to be installed according to the manufacturer's instructions using duly compatible components only.**
- Horizontal bars and levers must normally be installed at a height range of 900 to 1100 mm above the finished floor level, as measured in the closed position. If it is known that children represent the majority of the rooms' occupants, a reduction in bar height should be considered.
- Once the installation is complete, the force required on the horizontal bar to release the lock must be measured, using a force gauge. Actual measured forces must be reported on the maintenance registry in the installation instructions. The installation instructions should be handed over to the user, who must preserve them for use during maintenance operations.
- **To ensure that performance conforms with certifications, regular maintenance checks need to be carried out at intervals of one month or less, with periodic checks that all of the system's components still correspond to the component list provided at the outset.**

OFFICIAL GAZETTE OF THE EUROPEAN UNION 04 JULY 2009

Information from member states:

Commission communication in the context of the application of Directive 89/106/CEE of the Council in relation to the approach of regulatory and administrative legislative provisions of Member States in regards to construction products.

OEN (1)	Reference and title of the standard	Reference of the substitute standard
CEN	EN 1125:2008 Lock accessories Anti-panic devices for escape routes activated by horizontal bar - Test methods and requirements	EN 1125/1997
CEN	EN 179:2008 Lock accessories Emergency exit devices activated by lever handles or push plates	EN 179/1997

Date of the standard's entry into effect as a harmonized European standard	Date of expiration of the co-existence period
1.1.2009	1.1.2010

CE MARKING ACCORDING TO EN 179:2008

How to read the CE marking:

	CE conformity marking consisting of the "CE" symbol indicated in Directive 93/68/CE																				
M3 device for emergency exits	Product description																				
Ninz S.p.A. Corso Trento, 2/A I-38061 ALA (TN)/ITALY	Name or identifying mark and registered address of the manufacturer																				
10	Last two digits of the year when the marking was applied																				
EN 179:2008	Standard number																				
0425	Identification number for the certifying body																				
0425-CPR-002147	CE certification number																				
<table border="1"> <tr> <td>3</td><td>7</td><td>7</td><td>B</td><td>1</td><td>4</td><td>4</td><td>2</td><td>A</td><td>A</td> </tr> <tr> <td>1st</td><td>2nd</td><td>3rd</td><td>4th</td><td>5th</td><td>6th</td><td>7th</td><td>8th</td><td>9th</td><td>10th</td> </tr> </table>	3	7	7	B	1	4	4	2	A	A	1st	2nd	3rd	4th	5th	6th	7th	8th	9th	10th	Product classification
3	7	7	B	1	4	4	2	A	A												
1st	2nd	3rd	4th	5th	6th	7th	8th	9th	10th												

CLASSIFICATION ACCORDING TO EN 179:2008

How to read the classification:

Category of use (1st character)

Only one category of use is applicable:

- grade 3: very frequent use with little need to pay attention, in the sense of the possibility of accidents or improper use

Durability (2nd character)

Two different durability ratings are applicable:

- grade 6: 100,000 test cycles
- grade 7: 200.000 test cycles

Mass of the door (3rd character)

Three different grades of door mass are applicable:

- grade 5: up to 100 kg
- grade 6: up to 200 kg
- grade 7: over 200 kg

Suitability for use with fire/smoke rated doors (4th character)

Three different grades are applicable:

- grade 0: non approved for use on fire/smoke rated doors;
- grade A: suitable for use on smoke rated doors
- grade B: suitable for use on fire/smoke rated doors; on the basis of testing in conformity with EN 1634-1

Human safety (5th character)

Only a single human safety rating is applicable:

- grade 1: all devices for panic exits must ensure human safety, so for purposes of the present standard only the maximum rating is allowed

Corrosion resistance (6th character)

The two different corrosion resistance ratings indicated in EN 1670:2007 are applicable:

- grade 3: 96 h (high resistance)
- grade 4: 240 h (extra-high resistance)

Material safety (7th character)

Five different material safety grades are applicable:

- grade 2: 1000N
- grade 3: 2000N
- grade 4: 3000N
- grade 5: 5000N

Protrusion of horizontal bar (8° character)

Two different grades of device protrusion are applicable:

- grade 1: protrusion up to 150 mm (extra protrusion)
- grade 2: protrusion up to 100 mm (standard protrusion)

Activation type (9° character)

Two activation types are applicable:

- type A: emergency exit device with lever handle activation
- type B: emergency exit device with push panel activation (SLASH, for example)

Field of door application (10th character)

Four different categories of field of door application are applicable, depending on the final use of the emergency exit device:

- category A: one-leaved door, two-leaved door: active or inactive leaf, push opening
- category B: only one-leaved doors, push opening
- category C: two-leaved doors, inactive leaf only, push opening
- category D: one-leaved doors only, pull opening

CE MARKING ACCORDING TO EN 1125:2008-EC1:2009

How to read the **CE** marking:

	CE conformity marking consisting of the “CE” symbol indicated in Directive 93/68/CE																				
EXUS Panic exit device	Product description																				
Ninz S.p.A. Corso Trento, 2/A I-38061 ALA (TN)/ITALY	Name or identifying mark and registered address of the manufacturer																				
08	Last two digits of the year when the marking was applied																				
EN 1125:2008-EC1:2009	Standard number																				
0425	Identification number for the certifying body																				
0425-CPR-001228	CE certification number																				
<table border="1"> <tr> <td>3</td><td>7</td><td>7</td><td>B</td><td>1</td><td>3</td><td>2</td><td>1</td><td>A</td><td>A</td> </tr> <tr> <td>1st</td><td>2nd</td><td>3rd</td><td>4th</td><td>5th</td><td>6th</td><td>7th</td><td>8th</td><td>9th</td><td>10th</td> </tr> </table>	3	7	7	B	1	3	2	1	A	A	1st	2nd	3rd	4th	5th	6th	7th	8th	9th	10th	Product classification
3	7	7	B	1	3	2	1	A	A												
1st	2nd	3rd	4th	5th	6th	7th	8th	9th	10th												

CLASSIFICATION ACCORDING TO EN 1125:2008

How to read the classification:

Category of use (1st character)

There is only one category of use that may be utilized:

- grade 3: very frequent use with little need to pay attention, in the sense of the possibility of accidents or improper use

Durability (2nd character)

Two different durability ratings are applicable:

- grade 6: 100,000 test cycles
- grade 7: 200,000 test cycles

Mass of the door (3rd character)

Three different grades of door mass are applicable:

- grade 5: up to 100 kg
- grade 6: up to 200 kg
- grade 7: over 200 kg

Suitability for use with fire/smoke resistant doors (4th character)

Three different grades are applicable:

- grade 0: non approved for use on fire/smoke resistant doors
- grade A: suitable for use on smoke resistant doors
- grade B: suitable for use on fire/smoke resistant doors; on the basis of testing in conformity with EN 1634-1

Human safety (5th character)

Only a single human safety rating are applicable:

- grade 1: all devices for panic exits must ensure human safety, so that for purposes of the present standard only the maximum rating is allowed

Corrosion resistance (6th character)

The two different corrosion resistance ratings indicated in EN 1670:2007 are applicable:

- grade 3: 96 h (high resistance)
- grade 4: 240 h (extra-high resistance)

Material safety (7th character)

Only a single material safety rating are applicable:

- grade 2: there is only one category that represents the minimum obtainable rating due to the fact that material safety must be viewed as secondary relative to human safety

Protrusion of horizontal bar (8° character)

Two different grades of horizontal bar protrusion are applicable:

- grade 1: protrusion up to 150 mm (extra protrusion)
- grade 2: protrusion up to 100 mm (standard protrusion)

Horizontal bar activation type (9th character)

Two activation types are applicable:

- type A: panic bars with push-bar activation (EXUS and TWIST, for example)
- type B: panic bars with touch-bar activation (SLASH, for example)

Field of door application (10th character)

Three different categories of field of door application are applicable, depending on the final use of the panic exit device:

- category A: one-leaved door, two-leaved door: active or inactive leaf, push opening
- category B: only one-leaved doors, push opening
- category C: two-leaved doors, inactive leaf only, push opening

Provisions/Standard

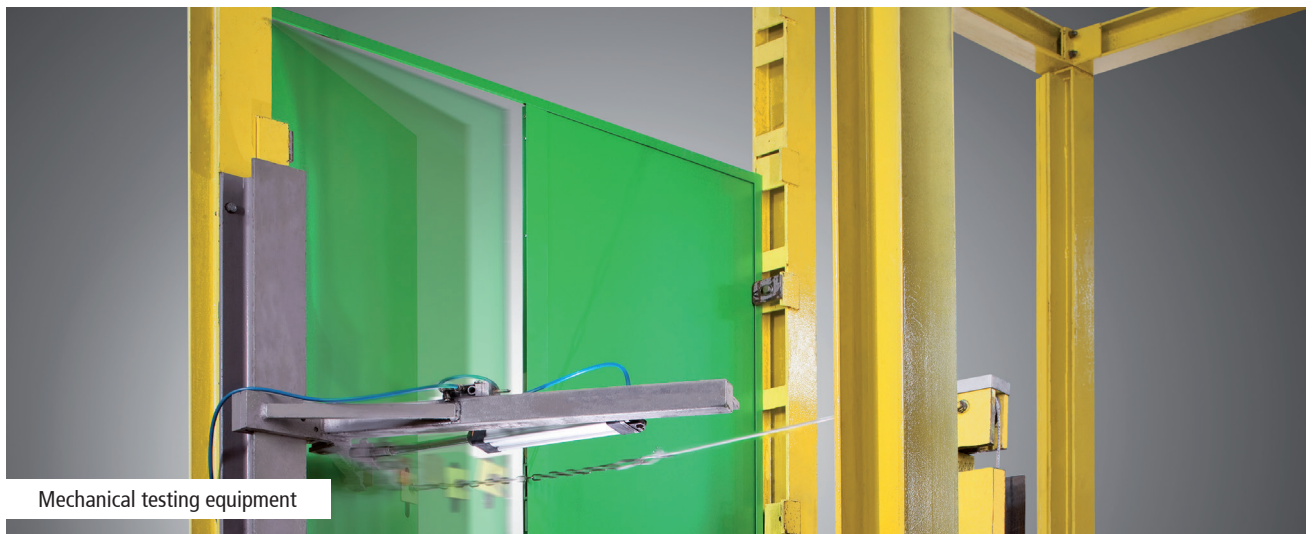
Emergency exit devices / Anti-panic devices for escape routes



DEVICES

TESTING EQUIPMENT

Our company maintains its own testing and experimentation equipment in order to ensure maximum quality, reliability and innovative service to our customers.



Emergency handles

NINZ

NINZ[®]
FIREDOORS

PRESENTATION

Emergency exit devices (emergency handles)

Ninz S.p.A. is a leader in fire doors, and has once again re-asserted itself as a visionary company with a strong identity created by its continuous research into the design and technology of its own products, such as the new line of emergency exit handles.

The handles are **CE** marked and pre-certified according to European standard EN 179:2008, which entered in effect January 01, 2010, and which prescribes a several substantial changes that further extend the requirements for maximum safety and ease of opening.

The Kit designed for your needs

When ordered separately from the door, the M3, M3X, M14, M14X, Hot CIL and HOT CIL-X handles are packaged in functional KITS for display and presentation in the most appropriate distribution context.

Packaging in KITS ensures customers, installers and therefore the final users that they are receiving a complete anti-panic system with fully corresponding and **CE** certified parts.

Certifications and replacements

Given the importance of maintaining the entire system's **CE** conformity, special attention has been paid to replacement parts, which have been subjected to testing in accordance with the EN 179:2008 standard due to their pivotal role in maintaining **CE** certification.

The only way to ensure that the products maintain their original characteristics over time is by using original NINZ replacement parts.

For this reason, the instructions for emergency handles include additional indications regarding proper installation and maintenance plus a exploded assembly drawing that specifies every smallest detail of the certified system with all of the references required for ordering replacement parts.



M3 and M3tir emergency handle

Emergency handle for internal locks - EN 179:2008

M3 AND M3tir IN BLACK PLASTIC

Description

Lever handle for emergency exit:

- Reversible for right or left opening
- Applicable to single leaf doors or the active leaf (main leaf) of two-leaved doors located at emergency exits
- Suitable for Rever/Univer/Proget doors and other types of emergency exit doors
- Both the levers and the cover plates are made of black plastic, and the core of the lever and the installation plate are made of galvanized steel
- The lock is anti-panic/fire rated for European profile cylinders
- Cylinder to pass in nickel-plated brass with 3 keys
- Suitable for doors with dimensions up to 1350 x 2880mm/leaf, mass up to 300kg/leaf, with ratings up to EI₂120 - REI120 and smoke resistance, handle protrusion of 67mm

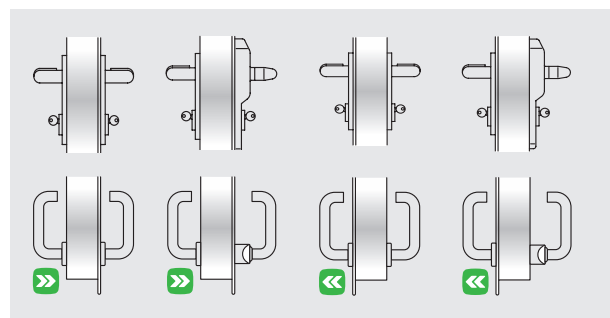
Use

The M3 and M3tir emergency exit handles are to be applied on doors designated for emergency situations involving people who are accustomed to using safety exits and their hardware, and who are therefore unlikely to be in a state of panic.

Operating mode

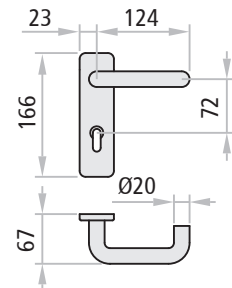
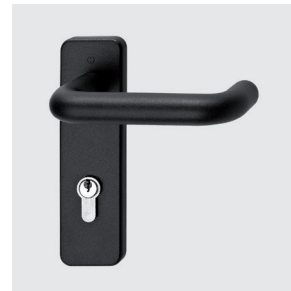
In the M3 version, with the lock locked by key, the door can no longer be opened from the pull side, while the door can still be opened using the lever on the push side, in the M3tir version the door can no longer be opened from the side to push, while on the side to pull the opening is always possible by acting on the handle. The passive (secondary) leaf normally remains closed and is only opened manually by a deadbolt lock (019).

VERSIONS AVAILABLE



M3 M3 ELM/mt
M3 ELM/fs

M3tir M3tir ELM/mt
M3tir ELM/fs



SUPPLIED TOGETHER WITH THE DOOR (ONLY FOR PROGET DOORS)

For single leaf or the active leaf of two-leaved doors:

Included (mounted on the door): anti-panic lock with 65mm entrance and the strike box insert.

Included (in the package): Nr. 2 black plastic lever handles, Nr. 2 galvanized steel installation plates, Nr. 2 black plastic cover plates, Nr. 1 split square spindle, Nr. 1 standard nickel-plated cylinder to pass with 3 keys, Nr. 1 adhesive pictogram (green arrow), Nr. 1 instruction/maintenance manual.

Versions available: M3, M3 ELM/mt, M3 ELM/fs, M3tir ELM/fs

ELM electric handle: see the dedicated pages

M3 AND M3tir KIT VERSION (SUPPLIED SEPARATELY FROM THE DOOR)

KIT for single leaf or the active leaf of two-leaved doors:

KIT contents: Nr. 1 anti-panic lock with 65mm entrance, Nr. 1 strike box insert, Nr. 2 black plastic lever handles, Nr. 2 galvanized steel installation plates, Nr. 2 black plastic cover plates, Nr. 1 split square spindle, Nr. 1 standard nickel-plated cylinder to pass with 3 keys, Nr. 1 adhesive pictogram (green arrow), Nr. 1 instruction/maintenance manual.

Versions available: M3, M3tir

VARIATIONS ON REQUEST

- MAC1 type panic lock, including access control mode
- Panic lock with 3 closing points (for multipurpose PROGET doors only and not available for the M3tir version)
- Mastered or coded cylinders

M3X and M3Xtir emergency handle

Emergency handle for internal locks - EN 179:2008



M3X AND M3Xtir IN STAINLESS STEEL

Description

Lever handle for emergency exit:

- Reversible for right or left opening
- Applicable to single leaf doors or the active leaf (main leaf) of two-leaved doors located at emergency exits
- Suitable for Rever/Univer/Proget doors and other types of emergency exit doors
- The levers as well as the cover plates are made of AISI 304 brushed stainless steel, and the installation plates are made of galvanized steel
- The lock is anti-panic/fire rated for Euro profile cylinders
- Cylinder to pass in nickel-plated brass with 3 keys
- Suitable for doors with dimensions up to 1350 x 2880mm/leaf, mass up to 300kg/leaf, with fire resistance up to EI₁₂₀ - REI120 and smoke resistance, handle protrusion of 67mm

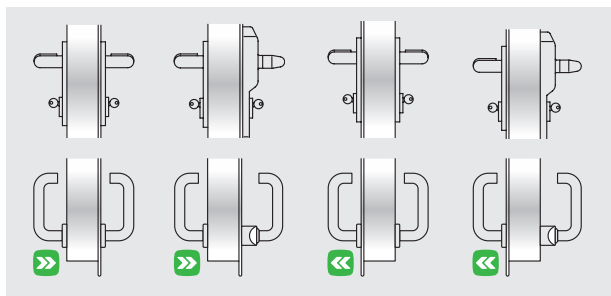
Use

The M3X and M3Xtir emergency exit handles are to be applied on doors designated for emergency situations in which the people involved are accustomed to using safety exits and their opening devices, and therefore who are very unlikely to be in a state of panic.

Operating mode

In the M3 version, with the lock locked by key, the door can no longer be opened from the pull side, while the door can still be opened using the lever on the push side, in the M3tir version the door can no longer be opened from the side to push, while on the side to pull the opening is always possible by acting on the handle. The passive (secondary) leaf normally remains closed and is only opened manually by a deadbolt lock (019).

VERSIONS AVAILABLE

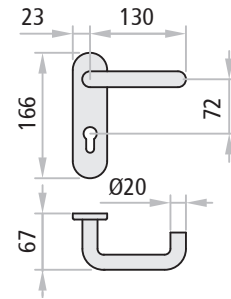


M3X

M3X ELM/mt
M3X ELM/fs

M3Xtir

M3Xtir ELM/mt
M3Xtir ELM/fs



SUPPLIED TOGETHER WITH THE DOOR (ONLY FOR PROGET DOORS)

For single leaf or the active leaf of two-leaved doors:

Included (mounted on the door): anti-panic lock with 65mm entrance and the strike box insert.

Included (in the package): Nr. 2 lever handles in brushed stainless steel, Nr. 2 galvanized steel installation plates, Nr. 2 cover plates in brushed stainless steel, Nr. 1 split square spindle, Nr. 1 standard nickel-plated cylinder to pass with 3 keys, fastener screws, Nr. 1 adhesive pictogram (green arrow), Nr. 1 instruction/maintenance manual.

Versions available: M3X, M3X ELM/mt, M3Xs, M3Xstir, M3X ELM/fs, M3Xtir ELM/fs

ELM electric handle: see the dedicated pages

M3X KIT VERSION

(SUPPLIED SEPARATELY FROM THE DOOR)

KIT for single leaf or the active leaf of two-leaved doors:

KIT contents: Nr. 1 anti-panic lock with 65mm entrance, Nr. 1 strike box insert, Nr. 2 lever handles in brushed stainless steel, Nr. 2 galvanized steel installation plates, Nr. 2 cover plates in brushed stainless steel, Nr. 1 split square spindle, Nr. 1 standard nickel-plated cylinder to pass with 3 keys, fastener screws, Nr. 1 adhesive pictogram (green arrow), Nr. 1 instruction/maintenance manual.

Versions available: M3X, M3Xs and M3Xstir

VARIATIONS ON REQUEST

- MAC1 panic lock, including access control system
- Panic lock with 3 closing points (for multipurpose PROGET doors only and not available for the M3tir version)
- Mastered or coded cylinders

Certifications

Emergency handle for internal locks - EN 179:2008



M3, M3X CERTIFICATIONS

Suitable for one-leaved doors or the active leaf of two-leaved doors with dimensions up to 1350x2880 mm/leaf and a mass up to 300 kg/leaf.

CE	
Denomination	M3, M3X DEVICE FOR EMERGENCY EXITS
Manufacturer	Ninz S.p.A. Corso Trento, 2/A I-38061 ALA (TN)/ITALY
Year application trademark	10
Nr. and year of the standard	EN 179:2008
Certifying body	0425
CE certificate Nr.	2147-CPD-2010
Classification	3 7 7 B 1 4 4 2 A A

- 1st Category of use very frequent
- 2nd Durability 200.000 cycles
- 3rd Door mass over 200 kg
- 4th Suitable for fire/smoke rated doors
- 5th Safety, suitable for evacuation routes
- 6th High corrosion resistance 240 h
- 7th Material safety 1000 N
- 8th Handle protrusion up to 100 mm
- 9th Activation type with lever handle
- 10th Suitable for one- or two-leaved doors

M3TIR, M3XTIR CERTIFICATIONS

Suitable for one-leaved doors or two-leaved doors with the second leaf semi-fixed and in any case not provided with emergency or panic device, with dimensions up to 1350x2880 mm/leaf and a mass up to 300 kg/leaf.

CE	
Denominazione	M3tir, M3Xtir DEVICE FOR EMERGENCY EXITS
Produttore	Ninz S.p.A. Corso Trento, 2/A I-38061 ALA (TN)/ITALIA
Anno applicazione marchio	10
N° e anno della norma	EN 179:2008
Organismo di certificazione	0425
N° del certificato CE	0425-CPR-002149
Classificazione	3 7 7 B 1 4 4 2 A D

- 1st Category of use very frequent
- 2nd Durability 200.000 cycles
- 3rd Door mass over 200 kg
- 4th Suitable for fire/smoke rated doors
- 5th Safety, suitable for evacuation routes
- 6th High corrosion resistance 240 h
- 7th Material safety 1000 N
- 8th Handle protrusion up to 100 mm
- 9th Activation type with lever handle
- 10th Suitable for one- or two-leaved doors

ICIM S.p.A. - Identification number: 0425
Piazza Don Enrico Mapelli, 75 - 20099 Sesto San Giovanni (MI) - ITALY

Certificato di costanza delle prestazioni

Certificate of constancy of performance

Certificato N. **0425 - CPR - 002147**
Certificate No.

In conformità al Regolamento 305/2011/EU del Parlamento Europeo e del Consiglio del 9 marzo 2011 (Regolamento Prodotti da Costruzione o CPR), questo certificato si applica al prodotto da costruzione.
In compliance with Regulation 305/2011/EU of the European Parliament and of the Council of 9 March 2011 (the Construction Products Certification or CPR), this certificate applies to the construction product.

Dispositivi per uscite di emergenza azionati mediante maniglia a leva o piastra a spinta
Emergency exit devices operated by a lever handle or push pad

SERIE / SERIES **M3, M3X**
MODELLI / MODELS See annex

Caratteristiche: vedi Allegato / Characteristics: see Annex
IMMESSO SUL MERCATO CON IL NOME O IL MARCHIO DI
PLACED ON THE MARKET UNDER THE NAME OR TRADE MARK OF
NINZ S.p.A.

SEDE LEGALE / HEAD OFFICE **Corso Trento, 2/A
38061 ALA (TN) - IT**
UNITÀ OPERATIVA / PRODUCTION UNIT **Corso Trento, 2/A
38061 ALA (TN) - IT**

Questo certificato attesta che tutte le disposizioni riguardanti la valutazione e la verifica della costanza della prestazione e le prestazioni descritte nell'allegato ZA della norma.
This certificate attests that all provisions concerning the assessment and verification of constancy of performance and the performances described in Annex ZA of the standard

EN 179:2008
nell'ambito del sistema 1 di cui al presente certificato vengono applicati e che il controllo di produzione in fabbrica condotto dal produttore è valutato al fine di garantirlo
under system 1 set out in this certificate are applied and that the factory production control conducted by the manufacturer is assessed to ensure the

COSTANZA DELLA PRESTAZIONE DEL PRODOTTO DA COSTRUZIONE
CONSTANCY OF PERFORMANCE OF THE CONSTRUCTION PRODUCT

Questo certificato è stato emesso per la prima volta il 12/03/2010 e ha validità sino a che la norma armonizzata, il prodotto da costruzione, i metodi AVCP o le condizioni di produzione nello stabilimento non subiscano modifiche significative, o sino a che non venga sospeso o ritirato dall'organismo di certificazione notificato ICIM S.p.A.
This certificate was first issued on 12/03/2010 and will remain valid as long as neither the harmonized standard, the construction product, the AVCP methods nor the manufacturing conditions in the plant are modified significantly, unless suspended or withdrawn by the notified product certification body ICIM S.p.A.

Il presente Certificato è da ritenersi valido solo se accompagnato dal relativo Allegato / This Certificate is valid only with the relative Annex

ICIM S.p.A.
 EMISSIONE / ISSUE
12/03/2020

ICIM S.p.A. - Piazza Don Enrico Mapelli, 75 - 20099 Sesto San Giovanni (MI)

ICIM S.p.A. - Identification number: 0425
Piazza Don Enrico Mapelli, 75 - 20099 Sesto San Giovanni (MI) - ITALY

Certificato di costanza delle prestazioni

Certificate of constancy of performance

Certificato N. **0425 - CPR - 002149**
Certificate No.

In conformità al Regolamento 305/2011/EU del Parlamento Europeo e del Consiglio del 9 marzo 2011 (Regolamento Prodotti da Costruzione o CPR), questo certificato si applica al prodotto da costruzione.
In compliance with Regulation 305/2011/EU of the European Parliament and of the Council of 9 March 2011 (the Construction Products Certification or CPR), this certificate applies to the construction product.

Dispositivi per uscite di emergenza azionati mediante maniglia a leva o piastra a spinta
Emergency exit devices operated by a lever handle or push pad

SERIE / SERIES **HOT-CIL, HOT-CIL-X
M3 tir, M3X tir**
MODELLI / MODELS See annex

Caratteristiche: vedi Allegato / Characteristics: see Annex
IMMESSO SUL MERCATO CON IL NOME O IL MARCHIO DI
PLACED ON THE MARKET UNDER THE NAME OR TRADE MARK OF
NINZ S.p.A.

SEDE LEGALE / HEAD OFFICE **Corso Trento, 2/A
38061 ALA (TN) ITALY**
UNITÀ OPERATIVA / PRODUCTION UNIT **Corso Trento, 2/A
38061 ALA (TN) ITALY**

Questo certificato attesta che tutte le disposizioni riguardanti la valutazione e la verifica della costanza della prestazione e le prestazioni descritte nell'allegato ZA della norma.
This certificate attests that all provisions concerning the assessment and verification of constancy of performance and the performances described in Annex ZA of the standard

EN 179:2008
nell'ambito del sistema 1 di cui al presente certificato vengono applicati e che il controllo di produzione in fabbrica condotto dal produttore è valutato al fine di garantirlo
under system 1 set out in this certificate are applied and that the factory production control conducted by the manufacturer is assessed to ensure the

COSTANZA DELLA PRESTAZIONE DEL PRODOTTO DA COSTRUZIONE
CONSTANCY OF PERFORMANCE OF THE CONSTRUCTION PRODUCT

Questo certificato è stato emesso per la prima volta il 25/04/2010 e ha validità sino a che la norma armonizzata, il prodotto da costruzione, i metodi AVCP o le condizioni di produzione nello stabilimento non subiscano modifiche significative, o sino a che non venga sospeso o ritirato dall'organismo di certificazione notificato ICIM S.p.A.
This certificate was first issued on 25/04/2010 and will remain valid as long as neither the harmonized standard, the construction product, the AVCP methods nor the manufacturing conditions in the plant are modified significantly, unless suspended or withdrawn by the notified product certification body ICIM S.p.A.

Il presente Certificato è da ritenersi valido solo se accompagnato dal relativo Allegato / This Certificate is valid only with the relative Annex

ICIM S.p.A.
 Direttore Tecnico
 EMISSIONE / ISSUE
15/12/2016

ICIM S.p.A. - Piazza Don Enrico Mapelli, 75 - 20099 Sesto San Giovanni (MI)

HOT-CIL emergency handle

Emergency handle for internal locks - EN 179:2008

HOT-CIL IN BLACK PLASTIC

Description

Lever handle and fixed doorknob for emergency exits, especially for hotel rooms:

- Reversible for right or left opening
- Normally applied on single leaf doors or the active leaf of two-leaved doors if the inactive leaf normally remains closed and can only be opened manually with the latch bolt (019)
- Suitable for Rever/Univer/Proget doors and other types of emergency exit pull doors
- The lever, doorknob and even the cover plates are made of black plastic, while the core of the lever and the installation plates are made of galvanized steel
- The lock is anti-panic/fire rated pull type for Euro profile cylinders
- Mastered cylinder to pass with thumbturn latch on the pull side made of nickel-plated brass with 3 keys
- Suitable for doors with dimensions up to 1350 x 2880mm/leaf, mass up to 300kg/leaf, with fire rating EI,120 - REI120 and smoke resistance, handle protrusion of 67mm

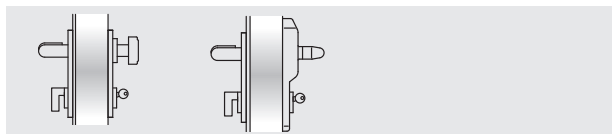
Use

The HOT-CIL emergency exit handle is to be applied on doors designated for emergency situations in which the people involved are accustomed to using safety exits and their opening devices, and who are therefore very unlikely to be in a state of panic.

Operating mode

The door can be opened from the push side by key only, while it can be opened at any time from the pull side by pressing the handle, even when the lock is locked using the key. The lock has two bolts that protrude when the key or the thumbturn latch is turned.

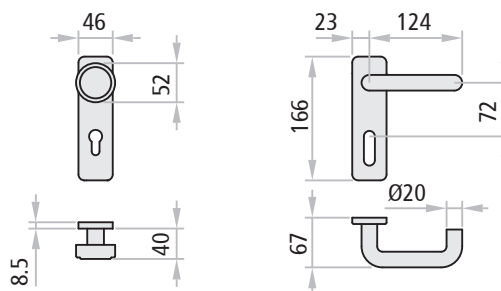
VERSIONS AVAILABLE



HOT-CIL

HOT-CIL ELM/mt

HOT-CIL ELM/fs



SUPPLIED TOGETHER WITH THE DOOR (ONLY FOR PROGET DOORS)

For the single leaf or active leaf of two-leaved doors (the inactive leaf normally remains closed and can only be opened manually using the bolt lock (019)):

Included (mounted on the door): the anti-panic lock with 65mm entrance and the strike box insert.

Included (in the package): Nr. 1 lever handle and Nr. 1 fixed doorknob in black plastic, Nr. 2 galvanized steel installation plates, Nr. 2 black plastic cover plates, Nr. 1 square spindle, Nr. 1 mastered cylinder with thumbturn latch on the pull side made of nickel-plated brass with 3 keys, fastener screws, Nr. 1 adhesive pictogram (green arrow), Nr. 1 set of instructions for installation/maintenance. *Versions available:* HOT-CIL, HOT-CIL ELM/mt, HOT-CIL ELM/fs

ELM electric handle: see the dedicated pages.

HOT-CIL KIT VERSION (SUPPLIED SEPARATELY FROM THE DOOR)

KIT for single leaf or the active leaf of two-leaved doors (the inactive leaf normally remains closed and can only be opened manually using the bolt lock (019)):

KIT contents: Nr. 1 anti-panic lock with 65mm entrance, Nr. 1 strike box insert, Nr. 1 lever handle and Nr. 1 fixed doorknob in black plastic, Nr. 2 galvanized steel installation plates, Nr. 2 black plastic cover plates, Nr. 1 square spindle, Nr. 1 mastered cylinder with thumbturn latch on the pull side made of nickel-plated brass with 3 keys, fastener screws, Nr. 1 adhesive pictogram (green arrow), Nr. 1 set of instructions for installation/maintenance.

Versions available: HOT-CIL

HOT-CIL-X emergency handle

Emergency handle for internal locks - EN 179:2008

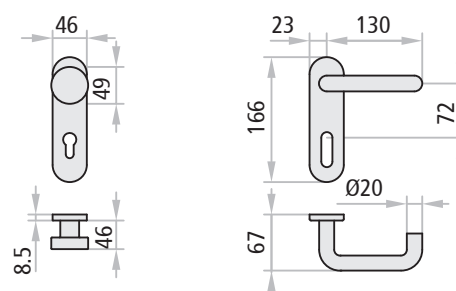


HOT-CIL-X IN STAINLESS STEEL

Description

Lever handle and fixed doorknob for emergency exits, especially for hotel rooms:

- Lever handle and fixed doorknob for emergency exits, especially for hotel rooms:
- Reversible for right or left opening
- Normally applied on single leaf doors or the active leaf of two-leaved doors if the inactive leaf normally remains closed and can only be opened manually with the latch bolt (019)
- Suitable for Rever/Univer/Proget doors and other types of emergency exit pull doors
- The lever, doorknob and cover plates are made of AISI 304 brushed stainless steel, while the installation plates are made of galvanized steel
- The lock is anti-panic/fire rated for Euro profile cylinders
- Mastered cylinder to pass with thumbturn latch on the pull side made of nickel-plated brass with 3 keys
- Suitable for doors with dimensions up to 1350x 2880mm/ leaf, mass up to 300kg/leaf, fire rated to EI,120 - REI120 and smoke resistance, handle protrusion of 67mm



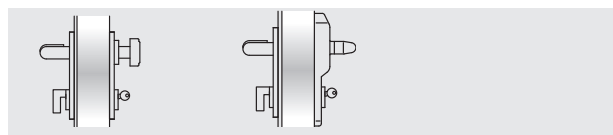
Use

The HOT-CIL-X emergency exit handle is for use on doors designated for emergency situations in which the people involved are accustomed to using safety exits and their opening devices, and who are therefore very unlikely to be in a state of panic.

Operating mode

The door can be opened from the push side by key only, while it can be opened at any time from the pull side by pressing the handle, even when the lock is locked using the key. The lock has two bolts that protrude when the key or the thumbturn latch is turned.

VERSIONS AVAILABLE



HOT-CIL-X

HOT-CIL-X ELM/mt
HOT-CIL X ELM/fs

SUPPLIED TOGETHER WITH THE DOOR (ONLY FOR PROGET DOORS)

For the single leaf or active leaf of two-leaved doors (the inactive leaf normally remains closed and can only be opened manually using the bolt lock (019)):

Included (mounted on the door): the anti-panic lock with 65mm entrance and the strike plate insert.

Included (in the package): Nr. 1 lever handle and Nr. 1 fixed doorknob in brushed stainless steel, Nr. 2 galvanized steel installation plates, Nr. 2 cover plates in brushed stainless steel, Nr. 1 square spindle, Nr. 1 mastered cylinder with thumbturn latch on the pull side made of nickel-plated brass with 3 keys, fastener screws, Nr. 1 adhesive pictogram (green arrow), Nr. 1 set of instructions for installation/maintenance.

Versions available: HOT-CIL-X, HOT-CIL-X ELM/mt, HOT-CIL-X ELM/fs

ELM electric handle: see the dedicated pages.

HOT-CIL-X KIT VERSION (SUPPLIED SEPARATELY FROM THE DOOR)

KIT for single leaf or the active leaf of two-leaved doors (the inactive leaf normally remains closed and can only be opened manually using the bolt lock (019)):

KIT contents: Nr. 1 anti-panic lock with 65mm entrance, Nr. 1 strike plate insert, Nr. 1 lever handle and Nr. 1 fixed doorknob in brushed stainless steel, Nr. 2 galvanized steel installation plates, Nr. 2 cover plates in brushed stainless steel, Nr. 1 square spindle, Nr. 1 mastered cylinder with thumbturn latch on the pull side made of nickel-plated brass with 3 keys, fastener screws, Nr. 1 adhesive pictogram (green arrow), Nr. 1 set of instructions for installation/maintenance.

Versions available: HOT-CIL-X

Certifications

Emergency handle for internal locks - EN 179:2008



HOT-CIL, HOT-CIL-X CERTIFICATION

Suitable for one-leaved doors or two-leaved doors with the second leaf semi-fixed and not equipped with emergency or anti-panic devices, with dimensions up to 1350x2880mm/leaf, mass up to 300kg/leaf.

Denomination	HOT-CIL, HOT-CIL-X EMERGENCY EXIT DEVICE
Manufacturer	Ninz S.p.A. Corso Trento, 2/A I-38061 ALA (TN)/ITALY
Year application trademark	10
Nr. and year of the standard	EN 179:2008
Certifying body	0425
CE certificate Nr.	0425-CPR-002149
Classification	3 7 7 B 1 4 4 2 A D

- 1st Category of use very frequent
- 2nd Durability 200.000 cycles
- 3rd Door mass over 200 kg
- 4th Suitable for fire/smoke rated doors
- 5th Safety, suitable for evacuation routes
- 6th High corrosion resistance 240 h
- 7th Material safety 1000 N
- 8th Handle protrusion up to 100 mm
- 9th Activation type with lever handle
- 10th Suited for one-leaved doors, pull opening

ICIM S.p.A. - Identification number: 0425
Piazza Don Enrico Mapelli, 75 - 20099 Sesto San Giovanni (MI) - ITALY

Certificato di costanza delle prestazioni

Certificate of constancy of performance

Certificato N. **0425 - CPR - 002149**
Certificate No.

In conformità al Regolamento 305/2011/UE del Parlamento Europeo e del Consiglio del 9 marzo 2011 (Regolamento Prodotti da Costruzione o CPR), questo certificato si applica al prodotto da costruire:
In compliance with Regulation 305/2011/UE of the European Parliament and of the Council of 9 March 2011 (the Construction Products Certification or CPR), this certificate applies to the construction product.

Dispositivi per uscite di emergenza azionati mediante maniglia a leva o piastra a spinta
Emergency exit devices operated by a lever handle or push pad

SERIE / SERIES: HOT-CIL, HOT-CIL-X
M3 tir, M3X tir
MODELLI / MODELS: See annex

Caratteristiche: vedi Allegato / Characteristics: see Annex
MESSO SUL MERCATO CON IL NOME O IL MARCHIO DI PLACED ON THE MARKET UNDER THE NAME OR TRADE MARK OF
NINZ S.p.A.

SEDE LEGALE / HEAD OFFICE: Corso Trento, 2/A
38061 ALA (TN) ITALY
UNITÀ OPERATIVA / PRODUCTION UNIT: Corso Trento, 2/A
38061 ALA (TN) ITALY

Questo certificato attesta che tutte le disposizioni riguardanti la valutazione e la verifica della costanza della prestazione e le prestazioni descritte nell'allegato ZA della norma:
This certificate attests that all provisions concerning the assessment and verification of constancy of performance and the performances described in Annex ZA of the standard

EN 179:2008
nell'ambito del sistema 1 di cui al presente certificato vengono applicati e che il controllo di produzione in fabbrica condotto dal produttore è valutato al fine di garantire la
under system 1 set out in this certificate are applied and that the factory production control conducted by the manufacturer is assessed to ensure the

COSTANZA DELLA PRESTAZIONE DEL PRODOTTO DA COSTRUZIONE
CONSTANCY OF PERFORMANCE OF THE CONSTRUCTION PRODUCT

Questo certificato è stato emesso per la prima volta il 28/04/2010 e ha validità sino a che la norma armonizzata, il prodotto da costruire, i metodi ACVP o le condizioni di produzione nello stabilimento non subiscano modifiche significative, o sino a che non venga sospeso o ritirato dall'organismo di certificazione notificato ICIM S.p.A.
This certificate was first issued on 28/04/2010 and will remain valid as long as neither the harmonized standard, the construction product, the ACVP methods nor the manufacturing conditions in the plant are modified significantly, unless suspended or withdrawn by the notified product certification body ICIM S.p.A.

Il presente Certificato è da ritenersi valido solo se accompagnato dal relativo Allegato / This Certificate is valid only with the relative Annex

ICIM S.p.A.
Direttore Tecnico
EMISSIONE / ISSUE
15/12/2016

ICIM S.p.A. - Piazza Don Enrico Mapelli, 75 - 20099 Sesto San Giovanni (MI)

DEVICES

M14 emergency handle

Emergency handle for insertion in lock - EN 179:2008

M14 IN BLACK PLASTIC

Description

Lever handle for emergency exit:

- Reversible for right or left opening
- For application to the inactive leaf of two-leaved doors located at emergency exits
- Suitable for Rever/Univer/Proget doors and other types of emergency exit doors
- The lever and cover plate are both made of black plastic, while the core of the lever and the installation plate are made of galvanized steel (with external installation plate in case of Rever door)
- The safety lock is anti-panic fire rated, activates the vertical rods and ensures automatic closure
- Suitable for doors with dimensions up to 1350x2880mm/leaf, mass up to 300kg/leaf, with fire rating EI,120 - REI120 and smoke resistance, handle protrusion of 67mm

Use

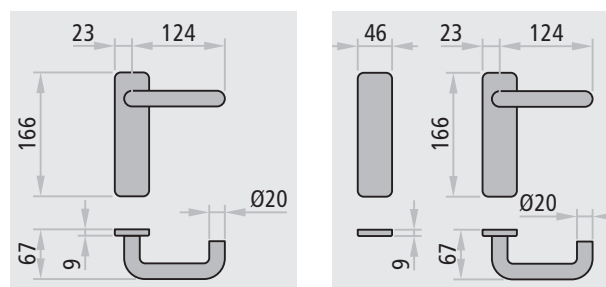
The M14 emergency exit handle is to be applied to doors designated for emergency situations in which the people involved are accustomed to using safety exits and their opening devices, and who are therefore highly unlikely to be in a state of panic.

The active (main) leaf must also be equipped with an anti-panic or emergency device.

Operating mode

The M14 emergency device is always used in combination with a second device for safety or emergency exits that is applied to the active (main) leaf, and for this reason does not include external opening door furnitures.

From the push side, opening is possible at any time by pushing on the handle, which causes the vertical rods to retract and at the same time pulls back the bolt of the active leaf's lock, unlatching both doors.



version for Univer/Proget door

version for Rever door

SUPPLIED TOGETHER WITH THE DOOR (ONLY FOR PROGET DOORS)

For the inactive leaf of two-leaved doors:

Included (mounted on the door): anti-panic safety lock with 80mm entrance, vertical rods, upper locking device, upper strike plate.

Included (in the package): Nr. 1 black plastic lever handle with galvanized steel installation plate and blank black plastic cover plate, Nr. 1 square spindle, Nr. 1 floor-mounted floor catch, Nr. 1 carrier arm (for fire doors only), fastener screws, Nr. 1 adhesive pictogram (green arrow), Nr. 1 set of instructions for installation/maintenance.

M14 KIT VERSION

(SUPPLIED SEPARATELY FROM THE DOOR)

KIT for the inactive leaf of two-leaved doors:

Please specify the door type - REVER, UNIVER or PROGET - in the order.
KIT contents: Nr. 1 anti-panic safety lock with 80mm entrance, Nr. 1 black plastic lever handle with galvanized steel installation plate and blank black plastic cover plate (with external installation plate for Rever doors), Nr. 1 square spindle, Nr. 1 upper locking device (for Rever only), Nr. 1 carrier arm (excluding Rever doors), fastener screws, Nr. 1 adhesive pictogram (green arrow), Nr. 1 set of instructions for installation/maintenance.



M3-M14

Two-leaved door emergency exit according to EN 179



EXUS © LP-M14

According to EN 1125-2008 this is a two-leaved door for emergency exit and a one-leaved door for anti-panic exit

M14X emergency handle

Emergency handle for internal locks - EN 179:2008



M14X IN STAINLESS STEEL

Description

Lever handle for emergency exit:

- Reversible for right or left opening
- For application to the inactive leaf of two-leaved doors located at emergency exits
- Suitable for Rever/Univer/Proget doors and other types of emergency exit doors
- The lever and cover plate are both made of AISI 304 brushed stainless steel, while the installation plate is made of galvanized steel (with external installation plate in case of Rever door)
- The safety lock is anti-panic/fire rated, activates the vertical rods and ensures automatic closure
- Suitable for doors with dimensions up to 1350x2880mm/leaf, mass up to 300kg/leaf, with fire rating EI₂120 - REI120 and smoke resistance, handle protrusion of 67mm

Use

The M14X emergency exit handle is to be applied on doors designated for emergency situations in which the people involved are accustomed to using safety exits and their opening devices, and who are therefore highly unlikely to be in a state of panic.

The active (main) leaf must also be equipped with an anti-panic or emergency device.

Operating mode

The M14X emergency device is always used in combination with a second device for safety or emergency exits that is applied to the active leaf, and for this reason does not include external opening door furnitures.

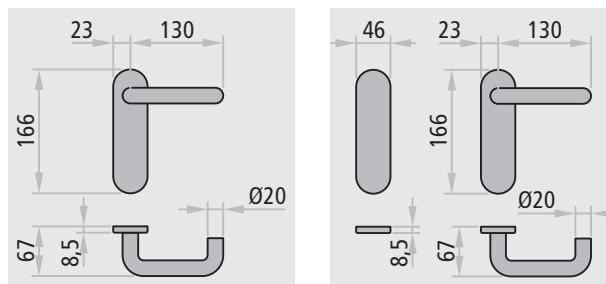
From the push side, opening is possible at any time by pushing on the handle, which causes the vertical rods to retract and at the same time pulls back the bolt of the active leaf's lock, unlatching both doors.

M14, M14X CERTIFICATION

Suited for the inactive leaf of two-leaved doors with dimensions up to 1350x2880mm/leaf, mass up to 300kg/leaf.

Denomination	M14, M14X EMERGENCY EXIT DEVICE
Manufacturer	Ninz S.p.A. Corso Trento, 2/A I-38061 ALA (TN)/ITALY
Year application trademark	10
Nr. and year of the standard	EN 179:2008
Certifying body	0425
CE certificate Nr.	0425-CPR-002148
Classification	3 7 7 B 1 4 4 2 A C

- 1st Category of use very frequent
- 2nd Durability 200.000 cycles
- 3rd Door mass over 200 kg
- 4th Suitable for fire/smoke rated doors
- 5th Safety, suitable for evacuation routes
- 6th High corrosion resistance 240 h
- 7th Material safety 1000 N
- 8th Handle protrusion up to 100 mm
- 9th Activation type with lever handle
- 10th Suited for door: two-leaved, on the inactive leaf only



version for Univer/Proget door

version for Rever door

SUPPLIED TOGETHER WITH THE DOOR (ONLY FOR PROGET DOORS)

For the inactive leaf of two-leaved doors:

Included (mounted on the door): anti-panic safety lock with 80mm entrance, vertical rods, upper locking device, upper strike plate.

Included (in the package): Nr. 1 lever handle in brushed stainless steel with galvanized steel installation plate and blank cover plate in brushed stainless steel, Nr. 1 square spindle, Nr. 1 floor-mounted door catch, Nr. 1 carrier arm (for fire doors only), fastener screws, Nr. 1 adhesive pictogram (green arrow), Nr. 1 set of instructions for installation/maintenance.

Versions available: M14X, M14Xs

M14X KIT VERSION

(SUPPLIED SEPARATELY FROM THE DOOR)

KIT for the inactive leaf of two-leaved doors:

Please specify the door type - REVER, UNIVER or PROGET - in the order.

KIT contents: Nr. 1 anti-panic safety lock with 80mm entrance, Nr. 1 lever handle in brushed stainless steel with galvanized steel installation plate and blank cover plate in brushed stainless steel (with external installation plate for Rever doors), Nr. 1 square spindle, Nr. 1 upper locking device (for Rever only), Nr. 1 carrier arm (excluding Rever doors), fastener screws, Nr. 1 adhesive pictogram (green arrow), Nr. 1 set of instructions for installation/maintenance.

Versions available: M14X, M14Xs

ICIM S.p.A. - Identification number: 0425
Piazza Don Enrico Mapelli, 75 - 20099 Sesto San Giovanni (MI) - ITALY

Certificato di costanza delle prestazioni
Certificate of constancy of performance

Certificato N. **0425 - CPR - 002148**
Certificate No.

In conformità al Regolamento 305/2011/UE del Parlamento Europeo e del Consiglio del 9 marzo 2011 (Regolamento Prodotti da Costruzione o CPR), questo certificato si applica al prodotto da costruzione.
In compliance with Regulation 305/2011/UE of the European Parliament and of the Council of 9 March 2011 (the Construction Products Certification or CPR), this certificate applies to the construction product.

Dispositivi per uscite di emergenza azionati mediante maniglia a leva o piastra a spinta
Emergency exit devices operated by a lever handle or push pad

SERIE / SERIES: **M14, M14X**
MODELLI / MODELS: **See annex**

Caratteristiche: vedi Allegato / Characteristics: see Annex
IMMESSO SUL MERCATO CON IL NOME O IL MARCHIO DI
PLACED ON THE MARKET UNDER THE NAME OR TRADE MARK OF

NINZ S.p.A.

SEDE LEGALE / HEAD OFFICE: **Corso Trento, 2/A 38061 ALA (TN) - IT**
UNITÀ OPERATIVA / PRODUCTION UNIT: **Corso Trento, 2/A 38061 ALA (TN) - IT**

Questo certificato attesta che tutte le disposizioni riguardanti la valutazione e la verifica della costanza della prestazione e le prestazioni descritte nell'Allegato 2A della norma.
This certificate attests that all provisions concerning the assessment and verification of constancy of performance and the performances described in Annex 2A of the standard.

EN 179:2008
nell'ambito del sistema 1 di cui al presente certificato vengono applicati e che il controllo di produzione in fabbrica condotto dal produttore è validato al fine di garantire
under system 1 set out in this certificate are applied and that the factory production control conducted by the manufacturer is assessed to ensure the

COSTANZA DELLA PRESTAZIONE DEL PRODOTTO DA COSTRUZIONE
CONSTANCY OF PERFORMANCE OF THE CONSTRUCTION PRODUCT

Questo certificato è stato emesso per la prima volta il 12/03/2010 e ha validità sino a che la norma armonizzata, il prodotto da costruzione, i metodi ACIP o le condizioni di produzione nello stabilimento non subiscano modifiche significative, o sino a che non venga sospeso o ritirato dall'organismo di certificazione notificato ICIM S.p.A.
This certificate was first issued on 12/03/2010 and will remain valid as long as neither the harmonized standard, the construction product, the ACIP methods nor the manufacturing conditions in the plant are modified significantly, unless suspended or withdrawn by the notified product certification body ICIM S.p.A.

Il presente Certificato è da ritenersi valido solo se accompagnato dal relativo Allegato / This Certificate is valid only with the relative Annex

ICIM S.p.A.
EMISSIONE / ISSUE: **12/03/2020**

ICIM S.p.A. - Piazza Don Enrico Mapelli, 75 - 20099 Sesto San Giovanni (MI)

EXUS[®]

EXUS[®]



PRESENTATION

EXUS® panic bars

Ninz S.p.A. is a leader in fire doors, and has once again reasserted itself as a visionary company with a strong identity created by its continuous research into the design and technology of its own products, such as the new line of EXUS® panic bars.

The EXUS® panic bars are **CE** marked and according to European standard EN 1125:2008-EC1:2009, which entered in effect January 01, 2010, and which prescribes a series of substantial changes that further extend the requirements for maximum safety and ease of opening.

The KIT designed for your needs

When ordered separately from the door, the EXUS® series of panic bars is provided in elegant and functional KITS packaged for presentation in the most appropriate format for distribution.

Packaging in KITS ensures customers, installers and therefore the final users that they are receiving a complete anti-panic system with fully corresponding parts which are all **CE** certified.

Finishing

Attention to detail and proportions are highlighted by select materials and finishing.

In addition to the **black PLASTIC** version combined with **anodized ALUMINIUM** bars, new combinations include the all **brushed STAINLESS STEEL** version and the **polished chromed ALUMINIUM** version combined with the **anodized ALUMINIUM bar**. Many other color and surface combinations are possible for equally aesthetic solutions.

The particular aesthetics of soft forms is one of the exclusive advantages of EXUS® panic bars, representing the fruit of designs generated in collaboration with Studio MM Design, which has been working with the company for many years.

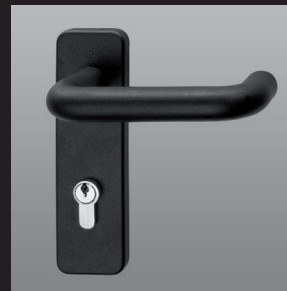
Certifications and replacements

Given the importance of maintaining the entire system's **CE** conformity, special attention has been paid to replacement parts, which have been subjected to testing in accordance with the EN 1125:2008-EC1:2009 standard due to their pivotal role in maintaining **CE** certification.

The only way to ensure that the products maintain their original characteristics over time is by using **original NINZ replacement parts**.

For this reason, the instructions for EXUS® panic bars include additional indications regarding proper installation and maintenance plus an exploded assembly drawing that specifies every smallest detail of the certified system with all of the references required for ordering replacement parts.

With the EXUS® panic bar, NINZ S.p.A. demonstrates its willingness to believe in market development by investing in designs and company image in order to endow its own products with added value while maintaining highly competitive quality-price ratios.



Black PLASTIC handle



Brushed STAINLESS STEEL handle

NOTE

By default external door furniture is provided with the same finishing as the panic bar.

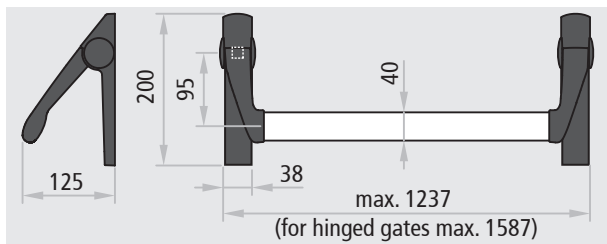
EXUS® - Features, certifications

Panic bar



FEATURES

- Newly designed product with state of the art technological concept
- Available several in color and surface combinations: brushed stainless steel for the lever arms and the bar, or aluminium with polished chrome lever arms and anodized aluminium bar, and finally the classic ever-green combination - black plastic lever arms with anodized aluminium bar
- Certified for internal lock with 40 or 65mm entrances for single leaves or active leaves, with 30 or 80mm entrance for inactive leaves and with square spindle rotation of up to 45°
- Possibility of locking by key on the bar side as well
- Reversible for Right or Left mounting
- Protrusion 125mm
- Proposed together with the door or separately in a complete KIT packaged in a black/yellow box
- Label applied to the packaging to identify the product's characteristics
- Wide range of customizations: colored bar, colored or stainless steel handles, lock with access control mechanisms, special coded or mastered cylinders



CERTIFICATION

Suited for one-leaved doors or the active and inactive leaves of two-leaved doors with dimensions up to 1350x2880mm/leaf, mass up to 300kg/leaf.

Denomination	EXUS PANIC BAR
Manufacturer	Ninz S.p.A. Corso Trento, 2/A I-38061 ALA (TN)/ITALY
Year application trademark	08
Nr. and year of the standard	EN 1125:2008-EC1:2009
Certifying body	0425
CE certificate Nr.	0425 CPR-001228
Classification	3 7 7 B 1 3 2 1 A A

- 1st Category of use very frequent
- 2nd Durability 200.000 cycles
- 3rd Door mass over 200 kg
- 4th Suitable for fire/smoke rated doors
- 5th Safety, suitable for evacuation routes
- 6th High corrosion resistance 96 h
- 7th Material safety 1000 N
- 8th Bar protrusion up to 150 mm
- 9th Activation type with push bar
- 10th Suited for one- or two-leaved doors



EXUS® is a registered trademark owned by Ninz S.p.A.

Also suited for doors with fire ratings:



ICIM S.p.A. - Identification number: 0425

Piazza Don Enrico Mapelli, 75 - 20099 Sesto San Giovanni (MI) - ITALY

Certificato di costanza delle prestazioni Certificate of constancy of performance

Certificato N. **0425 - CPR - 001228**
Certificato No.

In conformità al Regolamento 305/2011(IEU) del Parlamento Europeo e del Consiglio del 9 marzo 2011 (Regolamento Prodotti da Costruzione o CPR), questo certificato si applica al prodotto da costruzione.
In compliance with Regulation 305/2011(IEU) of the European Parliament and of the Council of 9 March 2011 (the Construction Products Certification or CPR), this certificate applies to the construction product.

Dispositivi per le uscite antipanico azionati mediante una barra orizzontale per l'utilizzo sulle vie di esodo
Panic exit devices operated by a horizontal bar, for use on escape routes

SERIE / SERIES **TWIST, EXUS LP, EXUS LA, EXUS LX**

MODELLI / MODELS **Si veda allegato / See annex**

Caratteristiche: vedi Allegato / Characteristics: see Annex

MESSO SUL MERCATO CON IL NOME O IL MARCHIO DI
PLACED ON THE MARKET UNDER THE NAME OR TRADE MARK OF

NINZ S.p.A.

SEDE LEGALE
HEAD OFFICE **Corso Trento, 2/A - 38061 ALA (TN) - ITALY**

UNITA OPERATIVA
PRODUCTION UNIT **Corso Trento, 2/A - 38061 ALA (TN) - ITALY**

Questo certificato attesta che tutte le disposizioni riguardanti la valutazione e la verifica della costanza della prestazione e le prestazioni descritte nell'allegato ZA della norma.
This certificate attests that all provisions concerning the assessment and verification of constancy of performance and the performances described in Annex ZA of the standard

EN 1125:2008 + EC1:2009

nell'ambito del sistema 1 di cui al presente certificato vengono applicati e che il controllo di produzione in fabbrica condotto dal produttore è valutato al fine di garantire la
under system 1 set out in this certificate are applied and that the factory production control conducted by the manufacturer is assessed to ensure the

COSTANZA DELLA PRESTAZIONE DEL PRODOTTO DA COSTRUZIONE CONSTANCY OF PERFORMANCE OF THE CONSTRUCTION PRODUCT

Questo certificato è stato emesso per la prima volta il 18/04/2007 e ha validità sino a che la norma armonizzata, il prodotto da costruzione, i metodi ACP o le condizioni di produzione nello stabilimento non subiscano modifiche significative, o sino a che non venga sospeso o ritirato dall'organismo di certificazione notificato ICIM S.p.A.
This certificate was first issued on 18/04/2007 and will remain valid as long as neither the harmonized standard, the construction product, the ACP methods nor the manufacturing conditions in the plant are modified significantly, unless suspended or withdrawn by the notified product certification body ICIM S.p.A.

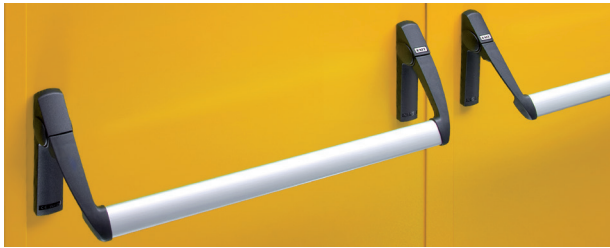
Il presente Certificato è da ritenersi valido solo se accompagnato dal relativo Allegato / This Certificate is valid only with the relative Annex

ICIM S.p.A.
Direttore Tecnico

EMMISSIONE
ISSUE
22/06/2017

ICIM S.p.A. - Piazza Don Enrico Mapelli, 75 - 20099 Sesto San Giovanni (MI)

EXUS® LP IN BLACK PLASTIC

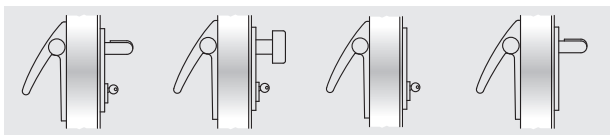


Description

The EXUS LP panic bar consists of an anodized aluminium horizontal bar that inserts into the lever arms attached to the mechanisms which activate the lock.

- Reversible for right or left opening
- For application to single leaf and two-leaved doors
- Suited for Rever/Univer/Proget doors and other types of panic exit doors
- The horizontal bar is made of extruded anodized aluminium with an elliptical cross-section measuring 40x20mm and a length of 1150mm
- Two black plastic lever arms with galvanized steel core
- The two mechanisms are made of galvanized steel with black plastic carter covers, one of which has an EXIT label that identifies the lock side
- The lock is anti-panic/fire rated for Euro profile cylinders
- The door furnitures and related cover plates are made of black plastic, while the installation plate is made of galvanized steel
- DC version with cylinder to pass

VERSIONS AVAILABLE

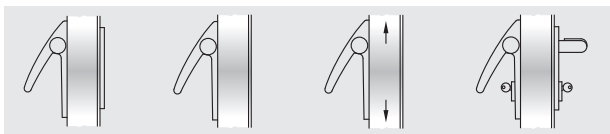


BM

BSP

BS

BMC

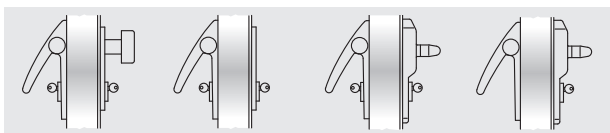


BC

B

A

DC BM



DC BSP

DC BS

DC ELM

ELM

VARIATIONS ON REQUEST (see dedicated page)

- Aluminium bar painted in RAL colors
- External BM, BSP, BS, BMC and BC door furnitures in brushed stainless steel, standard or "Sertos" version* (only for Proget doors)
- External BM and BSP door furnitures painted in RAL colors
- Three-point locking mechanism
- MAC1 panic lock with access control system, combinable with the BM and DC BM versions
- Mastered or coded cylinders
- Microswitch and cable sleeve for signaling when the door is open

EXUS LP (SUPPLIED WITH THE DOOR, ONLY FOR PROGET DOORS)

For single leaf or the active leaf of two-leaved doors:

Included (mounted on the door): the anti-panic lock with 65mm entrance and the strike box lock insert

Included (in the package): Nr. 2 mechanisms, Nr. 2 black plastic carter covers, Nr. 2 black plastic lever arms, Nr. 1 anodized aluminium bar, Nr. 1 black plastic external door furniture, Nr. 1 half-cylinder with 3 keys, Nr. 1 cylinder to pass with 3 keys (DC version only), Nr. 1 drilling template, Nr. 1 adhesive pictogram (green arrow), Nr. 1 set of installation/maintenance instructions

Versions available: BM, BSP, BS, BMC, BC, B (for Proget doors only), DC BM, DC BSP, DC BS, DC ELM, ELM

ELM electric handle: see the dedicated pages

For the inactive leaf of two-leaved doors:

Included (mounted on the door): anti-panic safety lock with 80mm entrance, the upper re-latch device, the upper strike plate and the vertical rods

Included (in the package): Nr. 2 mechanisms, Nr. 2 black plastic carter covers, Nr. 2 black plastic lever arms, Nr. 1 anodized aluminium bar, Nr. 1 floor-mounted floor catch, Nr. 1 carrier arm (for fire doors only), Nr. 1 drilling template, Nr. 1 adhesive pictogram (green arrow), Nr. 1 set of installation/maintenance instructions

Versions available: A

EXUS LP KIT

(SUPPLIED SEPARATELY FROM THE DOOR)

KIT for single leaf or the active leaf of two-leaved doors:

KIT contents: Nr. 1 anti-panic lock with 65mm entrance, Nr. 1 strike box lock insert, Nr. 2 mechanisms, Nr. 2 black plastic carter covers, Nr. 2 black plastic lever arms, Nr. 1 anodized aluminium bar, Nr. 1 black plastic external door furniture, Nr. 1 half-cylinder with 3 keys, Nr. 1 cylinder to pass with 3 keys (DC version only), Nr. 1 drilling template, Nr. 1 adhesive pictogram (green arrow), Nr. 1 set of installation/maintenance instructions

Versions available: BM, BSP, BS, BMC, BC, DC BM, DC BSP, DC BS

KIT for the inactive leaf of two-leaved doors, suited for REVER, UNIVER and PROGET fire and multipurpose doors (produced after 01.01.2005): specify door type on the order form

KIT contents: Nr. 1 anti-panic safety lock with 80mm entrance, Nr. 2 mechanisms, Nr. 2 black plastic carter covers, Nr. 2 black plastic lever arms, Nr. 1 anodized aluminium bar, Nr. 1 upper re-latch device, Nr. 1 floor-mounted floor catch, Nr. 1 carrier arm (excluding REVER), Nr. 1 drilling template, Nr. 1 adhesive pictogram (green arrow), Nr. 1 set of installation/maintenance instructions

Versions available: A

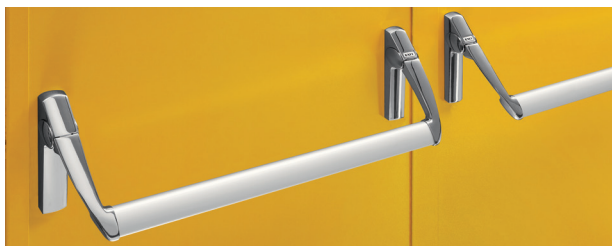
KIT for the inactive leaf of two-leaved doors and suited for other types of multipurpose doors and for substitution of non CE marked panic bars (PROGET doors):

KIT contents: Nr. 1 anti-panic safety lock with 80mm entrance, Nr. 2 mechanisms, Nr. 2 black plastic carter covers, Nr. 2 black plastic lever arms, Nr. 1 anodized aluminium bar, Nr. 1 upper re-latch device, Nr. 1 upper strike plate, vertical rods, Nr. 1 floor-mounted floor catch, Nr. 1 carrier arm, Nr. 1 drilling template, Nr. 1 adhesive pictogram (green arrow), Nr. 1 set of installation/maintenance instructions

Versions available: A

* see "Accessories, stainless steel handles"; in case of "Sertos" version the opening direction needs to be indicated

EXUS® LA IN ALUMINIUM

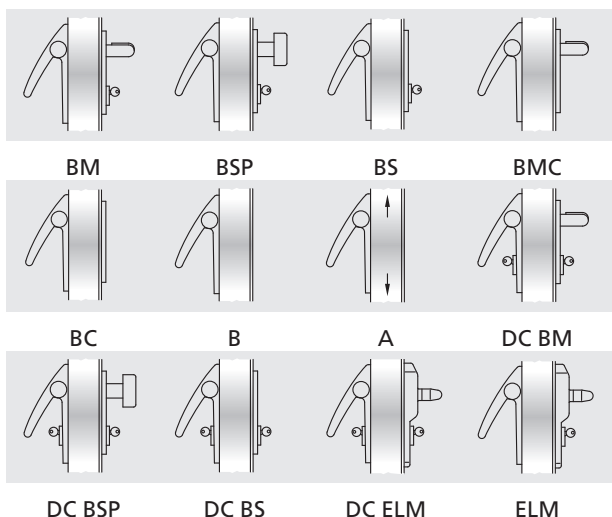


Description

The EXUS LA panic bar consists of an anodized aluminium horizontal bar that inserts into lever arms attached to the mechanisms which activate the lock.

- Reversible for right or left opening
- For application to single leaf and two-leaved doors
- Suited for Rever/Univer/Proget doors and other types of panic exit doors
- The horizontal bar is made of extruded anodized aluminium with an elliptical cross-section measuring 40x20mm and a length of 1150mm
- The two lever arms are made of an aluminium alloy with a polished chrome finish
- The two mechanisms are made of galvanized steel with aluminium alloy carter covers with a polished chrome finish, one of which has an EXIT label to identify the lock side
- The lock is anti-panic/fire rated for Euro profile cylinders
- The door furnitures and related cover plates are made of AISI 304 brushed stainless steel, while the installation plate is made of galvanized steel
- The arms and carter covers are finished with tri-valent chrome in compliance with the ROSH regulation
- DC version with cylinder to pass

VERSIONS AVAILABLE



VARIATIONS ON REQUEST (see dedicated page)

- Aluminium bar painted in RAL colors
- External BM, BSP, BS, BMC and BC door furnitures in brushed stainless steel, standard or "Sertos" version* (only for Proget doors)
- Three-point locking mechanism
- MAC1 panic lock with access control system, combinable with the BM and DC BM versions
- Mastered or coded cylinders
- Microswitch and cable sleeve for signaling when the door is open

EXUS LA (SUPPLIED WITH THE DOOR, ONLY FOR PROGET DOORS)

For single leaf or the active leaf of two-leaved doors:

Included (mounted on the door): the anti-panic lock with 65mm entrance and the strike box lock insert

Included (in the package): Nr. 2 mechanisms, Nr. 2 polished chrome aluminium carter covers, Nr. 2 polished chrome aluminium lever arms, Nr. 1 anodized aluminium bar, Nr. 1 stainless steel external door furniture, Nr. 1 half-cylinder with 3 keys, Nr. 1 cylinder to pass with 3 keys (DC version only), Nr. 1 drilling template, Nr. 1 adhesive pictogram (green arrow), Nr. 1 set of installation/maintenance instructions

Versions available: BM, BSP, BS, BMC, BC, B (for Proget doors only), DC BM, DC BSP, DC BS, DC ELM, ELM

ELM electric handle: see the dedicated pages

For the inactive leaf of two-leaved doors:

Included (mounted on the door): anti-panic safety lock with 80mm entrance, the upper re-latch device, the upper strike plate and the vertical rods

Included (in the package): Nr. 2 mechanisms, Nr. 2 polished chrome aluminium carter covers, Nr. 2 polished chrome aluminium lever arms, Nr. 1 anodized aluminium bar, Nr. 1 floor-mounted floor catch, Nr. 1 carrier arm (for fire doors only), Nr. 1 drilling template, Nr. 1 adhesive pictogram (green arrow), Nr. 1 set of installation/maintenance instructions

Versions available: A

EXUS LA KIT (SUPPLIED SEPARATELY FROM THE DOOR)

KIT for single leaf or the active leaf of two-leaved doors:

KIT contents: Nr. 1 anti-panic lock with 65mm entrance, Nr. 1 strike box lock insert, Nr. 2 mechanisms, Nr. 2 polished chrome aluminium carter covers, Nr. 2 polished chrome aluminium lever arms, Nr. 1 anodized aluminium bar, Nr. 1 stainless steel external door furniture, Nr. 1 half-cylinder with 3 keys, Nr. 1 cylinder to pass with 3 keys (DC version only), Nr. 1 drilling template, Nr. 1 adhesive pictogram (green arrow), Nr. 1 set of installation/maintenance instructions

Versions available: BM, BSP, BS, BMC, BC, DC BM, DC BSP, DC BS

KIT for the inactive leaf of two-leaved doors, suited for REVER, UNIVER and PROGET fire and multipurpose doors (produced after 01.01.2005): specify door type on the order form

KIT contents: Nr. 1 anti-panic safety lock with 80mm entrance, Nr. 2 mechanisms, Nr. 2 polished chrome aluminium carter covers, Nr. 2 polished chrome aluminium lever arms, Nr. 1 anodized aluminium bar, Nr. 1 upper re-latch device, Nr. 1 floor-mounted floor catch, Nr. 1 carrier arm (excluding REVER), Nr. 1 drilling template, Nr. 1 adhesive pictogram (green arrow), Nr. 1 set of installation/maintenance instructions

Versions available: A

KIT for the inactive leaf of two-leaved doors and suited for other types of multipurpose doors and for substitution of non CE marked panic bars (PROGET doors):

KIT contents: Nr. 1 anti-panic safety lock with 80mm entrance, Nr. 2 mechanisms, Nr. 2 polished chromed aluminium carter covers, Nr. 2 chromed aluminium lever arms, Nr. 1 anodized aluminium bar, Nr. 1 upper re-latch device, Nr. 1 upper strike plate, vertical rods, Nr. 1 floor-mounted floor catch, Nr. 1 carrier arm, Nr. 1 drilling template, Nr. 1 adhesive pictogram (green arrow), Nr. 1 set of installation/maintenance instructions

Versions available: A

NOTE

It is not advisable to use the anti-panic bar EXUS LA for marine environments or in particularly humid areas. For these situations the use of the anti-panic bar EXUS LX is recommended. * see "Accessories, stainless steel handles"; in case of "Sertos" version the opening direction needs to be indicated

EXUS® LX IN STAINLESS STEEL

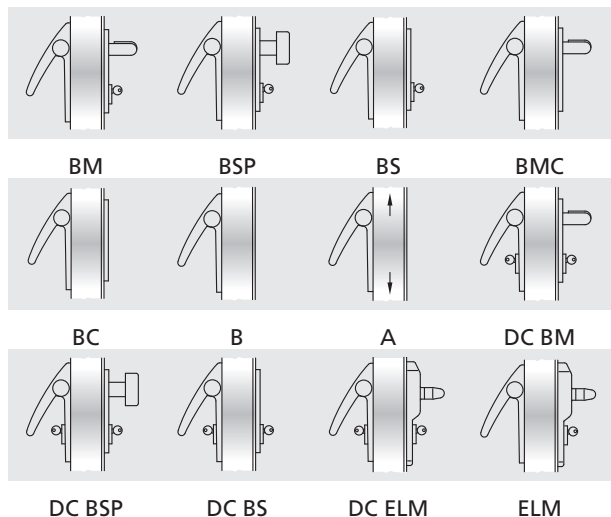


Description

The entire EXUS LX panic bar is made of stainless steel, and consists of a horizontal bar that inserts into lever arms attached to the mechanisms which activate the lock.

- Maximum corrosion resistance and noteworthy robustness of the entire set
- Optimal aesthetic appearance
- Reversible for right or left opening
- For application to single leaf and two-leaved doors
- Suited for Rever/Univer/Proget doors and other types of panic exit doors
- The horizontal bar is made of AISI 304 brushed stainless steel with an elliptical cross-section measuring 40x20mm, length of 1150mm
- The two lever arms are made of AISI 304 brushed stainless steel
- The two mechanisms are made of AISI 304 stainless steel
- The two carter covers are made of AISI 304 brushed stainless steel, and one is labeled with EXIT to identify the lock side
- The lock is anti-panic/fire rated for Euro profile cylinders
- The door furnitures and related cover plates are made of AISI 304 brushed stainless steel, while the installation plate is made of galvanized steel
- DC version with cylinder to pass

VERSIONS AVAILABLE



VARIATIONS ON REQUEST (see dedicated page)

- External BM, BSP, BS, BMC and BC door furnitures in brushed stainless steel, standard or "Sertos" version* (only for Proget doors)
- Three-point locking mechanism
- MAC1 panic lock with access control system, combinable with the BM and DC BM versions
- Mastered or coded cylinders
- Microswitch and cable sleeve for signaling when the door is open

EXUS LX (SUPPLIED WITH THE DOOR, ONLY FOR PROGET DOORS)

For single leaf or the active leaf of two-leaved doors:

Included (mounted on the door): the anti-panic lock with 65mm entrance and the strike box lock insert

Included (in the package): Nr. 2 stainless steel mechanisms, Nr. 2 stainless steel carter covers, Nr. 2 stainless steel lever arms, Nr. 1 stainless steel bar, Nr. 1 stainless steel external door furniture, Nr. 1 half-cylinder with 3 keys, Nr. 1 cylinder to pass with 3 keys (DC version only), Nr. 1 drilling template, Nr. 1 adhesive pictogram (green arrow), Nr. 1 set of installation/maintenance instructions

Versions available: BM, BSP, BS, BMC, BC, B (for Proget doors only), DC BM, DC BSP, DC BS, DC ELM, ELM

ELM electric handle: see the dedicated pages

For the inactive leaf of two-leaved doors:

Included (mounted on the door): anti-panic safety lock with 80mm entrance, the upper re-latch device, the upper strike plate and the vertical rods

Included (in the package): Nr. 2 stainless steel mechanisms, Nr. 2 stainless steel carter covers, Nr. 2 stainless steel lever arms, Nr. 1 stainless steel bar, Nr. 1 floor-mounted floor catch, Nr. 1 carrier arm (for fire doors only), Nr. 1 drilling template, Nr. 1 adhesive pictogram (green arrow), Nr. 1 set of installation/maintenance instructions

Versions available: A

EXUS LX KIT (SUPPLIED SEPARATELY FROM THE DOOR)

KIT for single leaf or the active leaf of two-leaved doors:

KIT contents: Nr. 1 anti-panic lock with 65mm entrance, Nr. 1 strike box lock insert, Nr. 2 stainless steel mechanisms, Nr. 2 stainless steel carter covers, Nr. 2 stainless steel lever arms, Nr. 1 stainless steel bar, Nr. 1 stainless steel external door furniture, Nr. 1 half-cylinder with 3 keys, Nr. 1 cylinder to pass with 3 keys (DC version only), Nr. 1 drilling template, Nr. 1 adhesive pictogram (green arrow), Nr. 1 set of installation/maintenance instructions

Versions available: BM, BSP, BS, BMC, DC BM, DC BSP, DC BS

KIT for the inactive leaf of two-leaved doors, suited for REVER, UNIVER and PROGET fire and multipurpose doors (produced after 01.01.2005): specify door type on the order form

KIT contents: Nr. 1 anti-panic safety lock with 80mm entrance, Nr. 2 stainless steel mechanisms, Nr. 2 stainless steel carter covers, Nr. 2 stainless steel lever arms, Nr. 1 stainless steel bar, Nr. 1 upper re-latch device, Nr. 1 floor-mounted floor catch, Nr. 1 carrier arm (excluding REVER), Nr. 1 drilling template, Nr. 1 adhesive pictogram (green arrow), Nr. 1 set of installation/maintenance instructions

Versions available: A

KIT for the inactive leaf of two-leaved doors and suited for other types of multipurpose doors and for substitution of non CE marked panic bars (PROGET doors):

KIT contents: Nr. 1 anti-panic safety lock with 80mm entrance, Nr. 2 stainless steel mechanisms, Nr. 2 stainless steel carter covers, Nr. 2 stainless steel lever arms, Nr. 1 stainless steel bar, Nr. 1 upper re-latch device, Nr. 1 upper strike plate, vertical rods, Nr. 1 floor-mounted floor catch, Nr. 1 carrier arm, Nr. 1 drilling template, Nr. 1 adhesive pictogram (green arrow), Nr. 1 set of installation/maintenance instructions

Versions available: A

* see "Accessories, stainless steel handles"; in case of "Sertos" version the opening direction needs to be indicated

Twist

TWIST



Presentation

TWIST panic bars

PRESENTATION

TWIST panic bars

TWIST panic bars are **CE** marked in accordance with European standard EN 1125:2008-EC1:2009, which entered in effect January 01, 2010, and which prescribes a series of substantial changes that further extend the requirements for maximum safety and ease of opening.

The KIT designed for your needs

When ordered separately from the door, the **TWIST** series of panic bars is provided in elegant and functional KITS packaged for presentation in the most appropriate format for distribution.

Packaging in KITS ensures customers, installers and therefore the final users that they are receiving a complete anti-panic system with fully corresponding parts that are all **CE** certified.

Finishing

The **TWIST** panic bar series is proposed in a **black PLASTIC** version combined with an **anodized ALUMINIUM** bar. On request, the bar and the door furniture may be painted in RAL colors, opening up an infinite variety of aesthetic solutions.

Certifications and replacements

Given the importance of maintaining the entire system's **CE** conformity, special attention has been paid to replacement parts, which have been subjected to testing in accordance with the EN 1125:2008-EC1:2009 standard due to their pivotal role in maintaining **CE** certification.

The only way to ensure that the products maintain their original characteristics over time is by using **original NINZ replacement parts**.

For this reason, the instructions for **TWIST** panic bars include additional indications regarding proper installation and maintenance plus an explosion assembly drawing that specifies every smallest detail of the certified system with all of the references required for ordering replacement parts.

With the packaging of the TWIST panic bar, NINZ S.p.A. demonstrates its intent to believe in market development by investing in designs and company image in order to endow its own products with added value while maintaining highly competitive quality-price ratios.



Black PLASTIC handle

NOTE

The TWIST exit device series is combined with a black PLASTIC handle.

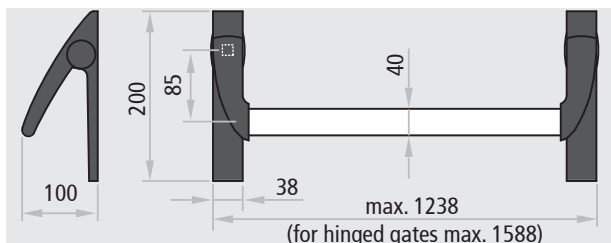
TWIST - Features, certifications

Panic bar



FEATURES

- The classic line of panic bars, an ever-green, available in the standard combination with black plastic arms/caps and anodized aluminium bar
- Certified for internal locks with a 65mm entrance for single leaves or active leaves, and with an 80mm entrance for inactive leaves
- Reversible for mounting on Right or Left doors
- Protrusion 100mm
- Proposed together with the door or separately in a complete KIT packaged in a single black/green box
- Packaging is labeled to identify product characteristics
- Wide range of customizations: colored bar, colored or stainless steel handles, locks with access control systems, special coded or mastered cylinders



Also suited for doors with fire ratings:



CERTIFICATION

Suited for one-leaved doors or the active and inactive leaves of two-leaved doors with dimensions up to 1350x2880mm/leaf, mass up to 300kg/leaf.

Denomination	TWIST PANIC BAR
Manufacturer	Ninz S.p.A. Corso Trento, 2/A I-38061 ALA (TN)/ITALY
Year application trademark	08
Nr. and year of the standard	EN 1125:2008-EC1:2009
Certifying body	0425
CE certificate Nr.	0425 CPR-001228
Classification	3 7 7 B 1 3 2 1 A A

- 1st Category of use very frequent
- 2nd Durability 200.000 cycles
- 3rd Door mass over 200 kg
- 4th Suitable for fire/smoke rated doors
- 5th Safety, suitable for evacuation routes
- 6th High corrosion resistance 96 h
- 7th Material safety 1000 N
- 8th Bar protrusion up to 150 mm
- 9th Activation type with push bar
- 10th Suitable for one- or two-leaved doors



ICIM S.p.A. - Identification number: 0425
Piazza Don Enrico Mapelli, 75 - 20099 Sesto San Giovanni (MI) - ITALY

Certificato di costanza delle prestazioni
Certificate of constancy of performance

Certificato N. **0425 - CPR - 001228**
Certificate No.

In conformità al Regolamento 305/2011/UE del Parlamento Europeo e del Consiglio del 9 marzo 2011 (Regolamento Prodotti da Costruzione o CPR), questo certificato si applica al prodotto da costruzione.
In compliance with Regulation 305/2011/UE of the European Parliament and of the Council of 9 March 2011 (the Construction Products Certification or CPR), this certificate applies to the construction product:

Dispositivi per le uscite antipanico azionati mediante una barra orizzontale per l'utilizzo sulle vie di esodo
Panic exit devices operated by a horizontal bar, for use on escape routes

SERIE / SERIES **TWIST, EXUS LP, EXUS LA, EXUS LX**
MODELLI / MODELS **Si veda allegato / See annex**

Caratteristiche: vedi Allegato / Characteristics: see Annex
IMMESSO SUL MERCATO CON IL NOME O IL MARCHIO DI
PLACED ON THE MARKET UNDER THE NAME OR TRADE MARK OF

NINZ S.p.A.

SEDE LEGALE
HEAD OFFICE **Corso Trento, 2/A - 38061 ALA (TN) - ITALY**

UNITÀ OPERATIVA
PRODUCTION UNIT **Corso Trento, 2/A - 38061 ALA (TN) - ITALY**

Questo certificato attesta che tutte le disposizioni riguardanti la valutazione e la verifica della costanza della prestazione e le prestazioni descritte nell'allegato 2A della norma.
This certificate attests that all provisions concerning the assessment and verification of constancy of performance and the performances described in Annex 2A of the standard

EN 1125:2008 + EC1:2009

nell'ambito del sistema 1 di cui al presente certificato vengono applicati e che il controllo di produzione in fabbrica condotto dal produttore è valido al fine di garantire la
under system 1 set out in this certificate are applied and that the factory production control conducted by the manufacturer is assessed to ensure the

COSTANZA DELLA PRESTAZIONE DEL PRODOTTO DA COSTRUZIONE
CONSTANCY OF PERFORMANCE OF THE CONSTRUCTION PRODUCT

Questo certificato è stato emesso per la prima volta il 18/04/2007 e ha validità sino a che la norma armonizzata, il prodotto da costruzione, i metodi ACVP o le condizioni di produzione nello stabilimento non subiscano modifiche significative, o sino a che non venga sospeso o ritirato dall'organismo di certificazione notificato ICIM S.p.A.
This certificate was first issued on 18/04/2007 and will remain valid as long as neither the harmonized standard, the construction product, the ACVP methods nor the manufacturing conditions in the plant are modified significantly, unless suspended or withdrawn by the notified product certification body ICIM S.p.A.

Il presente Certificato è da ritenersi valido solo se accompagnato dal relativo Allegato / This Certificate is valid only with the relative Annex

ICIM S.p.A.
Direttore Tecnico

EMISSIONE
ISSUE
22/06/2017

TWIST IN BLACK PLASTIC

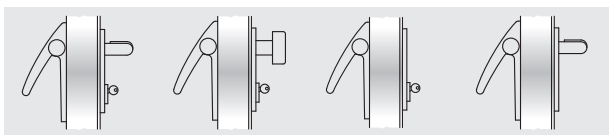


Description

The TWIST plastic panic bar consists of an anodized aluminium horizontal bar that inserts into the lever arms attached to the mechanisms used to activate the lock.

- Reversible for right or left opening
- For application to single leaf and two-leaved doors
- Suited for Rever/Univer/Proget doors and other types of panic exit doors
- The horizontal bar is made of extruded anodized aluminium with an elliptical cross-section measuring 40x20mm and a length of 1150mm
- Two black plastic lever arms with galvanized steel core
- The two mechanisms are made of galvanized steel with black plastic carter covers, one of which has an EXIT label that identifies the lock side
- The lock is anti-panic/fire resistance for Euro profile cylinders
- The door furnitures and the cover plates are made of black plastic, while the installation plate is made of galvanized steel

VERSIONS AVAILABLE

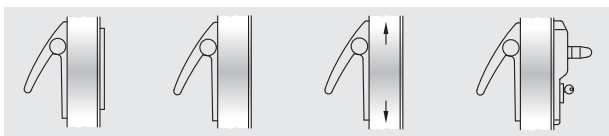


BM

BSP

BS

BMC



BC

B

A

ELM

VARIATIONS ON REQUEST (see dedicated page)

- Aluminium bar painted in RAL colors
- External BM, BSP, BS, BMC and BC commands in brushed stainless steel, standard or "Sertos" version* (only for Proget doors)
- Three-point locking mechanism
- External BM and BSP commands painted in RAL colors
- MAC1 panic lock with access control mode, combinable with the BM version
- Mastered or encrypted cylinders
- Microswitch and cable sleeve for signaling when the door is open

TWIST (SUPPLIED WITH THE DOOR, ONLY FOR PROGET DOORS)

For single leaf or the active leaf of two-leaved doors:

Included (mounted on the door): the anti-panic lock with 65mm entrance and the strike box lock insert

Included (in the package): Nr. 2 mechanisms, Nr. 2 black plastic carter covers, Nr. 2 black plastic lever arms, Nr. 1 anodized aluminium bar, Nr. 1 black plastic external door furniture, Nr. 1 half-cylinder with 3 keys, Nr. 1 drilling template, Nr. 1 adhesive pictogram (green arrow), Nr. 1 set of installation/maintenance instructions

Versions available: BM, BSP, BS, BMC, BC, B (for Proget doors only), ELM

ELM electric handle: see the dedicated pages

For the inactive leaf of two-leaved doors:

Included (mounted on the door): anti-panic safety lock with 80mm entrance, the upper re-latch device, the upper strike plate and the vertical rods

Included (in the package): Nr. 2 mechanisms, Nr. 2 black plastic carter covers, Nr. 2 black plastic lever arms, Nr. 1 anodized aluminium bar, Nr. 1 floor-mounted door catch, Nr. 1 carrier arm (for fire doors only), Nr. 1 drilling template, Nr. 1 adhesive pictogram (green arrow), Nr. 1 set of installation/maintenance instructions

Versions available: A

TWIST KIT

(SUPPLIED SEPARATELY FROM THE DOOR)

KIT for single leaf or the active leaf of two-leaved doors:

KIT contents: Nr. 1 anti-panic lock with 65mm entrance, Nr. 1 strike box lock insert, Nr. 2 mechanisms, Nr. 2 black plastic carter covers, Nr. 2 black plastic lever arms, Nr. 1 anodized aluminium bar, Nr. 1 black plastic external door furniture, Nr. 1 half-cylinder with 3 keys, Nr. 1 drilling template, Nr. 1 adhesive pictogram (green arrow), Nr. 1 set of installation/maintenance instructions

Versions available: BM, BSP, BS, BMC, BC

KIT for the inactive leaf of two-leaved doors, suited for REVER, UNIVER and PROGET fire and multipurpose doors (produced after 01.01.2005):

specify door type on the order form

KIT contents: Nr. 1 anti-panic safety lock with 80mm entrance, Nr. 2 mechanisms, Nr. 2 black plastic carter covers, Nr. 2 black plastic lever arms, Nr. 1 anodized aluminium bar, Nr. 1 upper re-latch device, Nr. 1 floor-mounted floor catch, Nr. 1 carrier arm (excluding REVER), Nr. 1 drilling template, Nr. 1 adhesive pictogram (green arrow), Nr. 1 set of installation/maintenance instructions

Versions available: A

KIT for the inactive leaf of two-leaved doors and suited for other types of multipurpose doors and for substitution of non CE marked panic bars (PROGET doors):

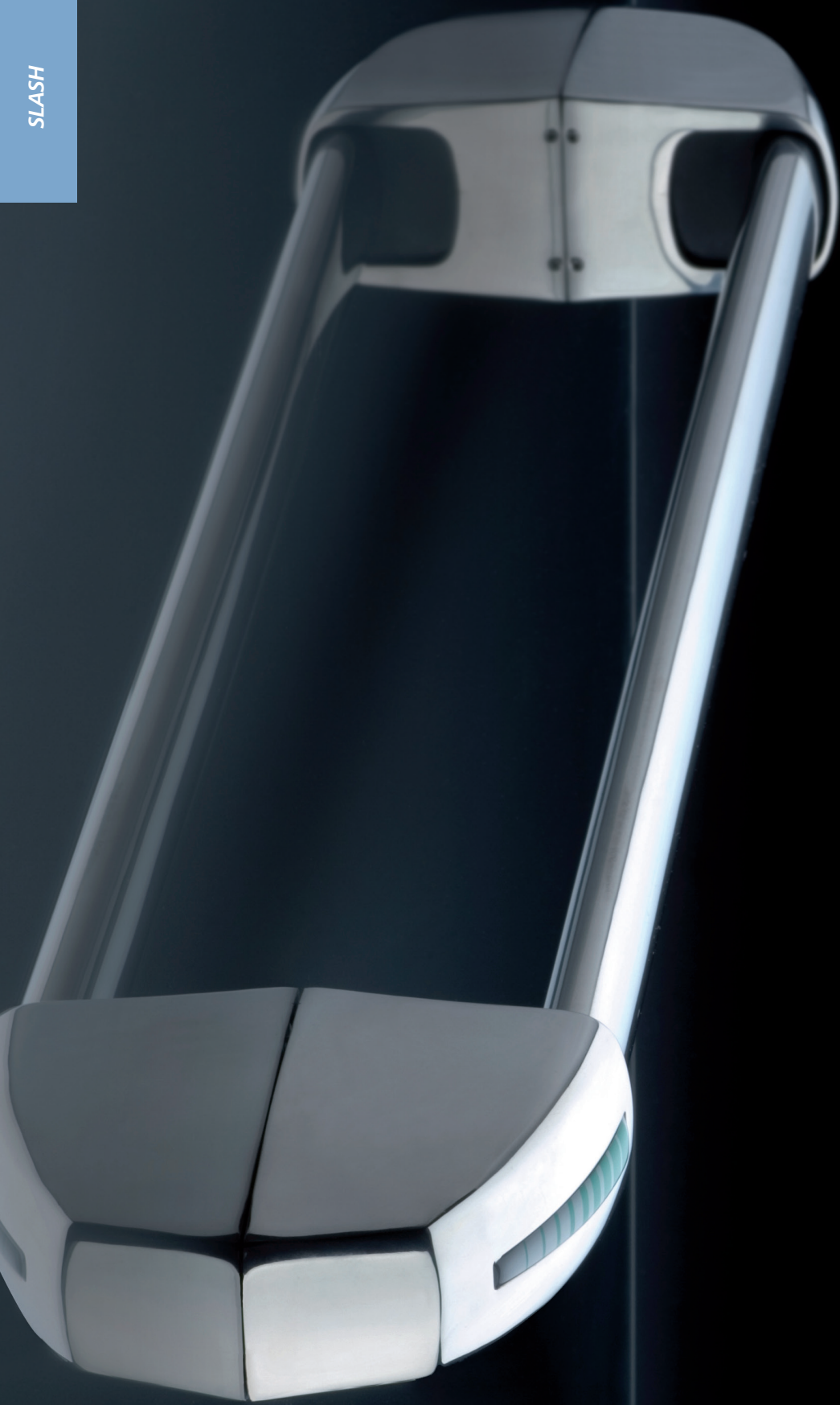
KIT contents: Nr. 1 anti-panic safety lock with 80mm entrance, Nr. 2 mechanisms, Nr. 2 black plastic carter covers, Nr. 2 black plastic lever arms, Nr. 1 anodized aluminium bar, Nr. 1 upper re-latch device, Nr. 1 upper strike plate, vertical rods, Nr. 1 floor-mounted floor catch, Nr. 1 carrier arm, Nr. 1 drilling template, Nr. 1 adhesive pictogram (green arrow), Nr. 1 set of installation/maintenance instructions

Versions available: A

* see "Accessories, stainless steel handles"; in case of "Sertos" version the opening direction needs to be indicated

SLASH

SLASH



PRESENTATION

SLASH panic bars

Ninz S.p.A. is a leader in fire doors, and has once again reasserted itself as a visionary company with a strong identity created by its continuous research into the design and technology of its own products, such as the new line of SLASH panic bars.

All SLASH handles are **CE** marked and pre-certified according to European standard EN 1125:2008-EC1:2009, which entered in effect January 01, 2010, to prescribe a series of substantial changes that further extend the requirements for maximum safety and ease of opening.

The KIT designed for your needs

When ordered separately from the door, the **SLASH** series of panic bars is provided in elegant and functional KITS packaged for presentation in the most appropriate distribution format.

Packaging in KITS ensures customers, installers and therefore the final users that they are receiving a complete anti-panic system with fully corresponding parts that are all **CE** certified.

Finishing

In addition to the **black PLASTIC** version combined with **anodized ALUMINIUM** bars, new combinations include the **brushed STAINLESS STEEL** version and the **polished chromed ALUMINIUM** version combined with the **anodized ALUMINIUM** bar. Many other color and surface combinations are possible for equally aesthetic solutions.

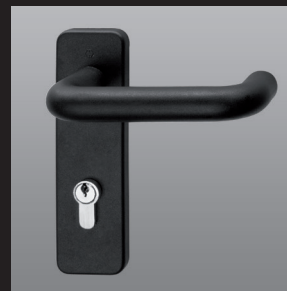
Certifications and replacements

Given the importance of maintaining the entire system's **CE** conformity, special attention has been paid to replacement parts, which have been subjected to testing in accordance with the EN 1125:2008-EC1:2009 standard due to their pivotal role in maintaining **CE** certification.

The only way to ensure that the products maintain their original characteristics over time is by using **original NINZ replacement parts**.

For this reason, the instructions for **SLASH** panic bars include additional indications regarding proper installation and maintenance plus a blow-up drawing that specifies every smallest detail of the certified system with all of the references required for ordering replacement parts.

With the expansion of the line and the packaging of the **SLASH** panic bar, NINZ S.p.A. demonstrates its faith in market development by investing in designs and company image in order to endow its fire doors and the series of accessories with added value while continuing to maintain highly competitive quality-price ratios.



Black PLASTIC handle



Brushed STAINLESS STEEL handle

NOTE

By default external door furniture is provided with the same finishing as the panic bar.

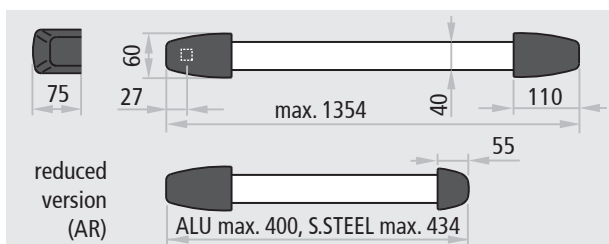
SLASH - Features, certifications

Panic bar



FEATURES

- Panic bar that stands out from the others due to its particular design and the rounded shapes of the carters. This characteristic not only improves aesthetic appeal, but it also eliminates any risk of injury during use
- Available in different color and surface combinations, in brushed stainless steel for the cover carters and the bar, or with polished chromed aluminium carters and anodized aluminium bar, and then there is always the classic combination that is still in fashion - black plastic carters with anodized aluminium bar
- Certified for internal locks with a 65mm entrance for single leaves or active leaves, and with an 80mm entrance for inactive leaves
- Reversible for Right or Left mounting
- Protrusion 75mm
- Proposed together with the door or separately in a complete KIT packaged in a single black/orange box
- Label applied to the packaging to identify the product's characteristics
- Wide range of customizations: colored bar, colored or stainless steel handles, lock with access control mechanisms, special encrypted or mastered cylinders



Also suited for doors with classifications up to:



CERTIFICATION

Suited for one-leaved doors or the active and inactive leaves of two-leaved doors with dimensions up to 1350x2880mm/leaf, mass up to 300kg/leaf.

Denomination	SLASH PANIC BAR
Manufacturer	Ninz S.p.A. Corso Trento, 2/A I-38061 ALA (TN)/ITALY
Year application trademark	08
Nr. and year of the standard	EN 1125:2008-EC1:2009
Certifying body	0425
CE certificate Nr.	0425-CPR-001308
Classification	3 7 7 B 1 3 2 2 B A

- 1st Category of use very frequent
- 2nd Durability 200.000 cycles
- 3rd Door mass over 200 kg
- 4th Suitable for fire/smoke rated doors
- 5th Safety, suitable for evacuation routes
- 6th High corrosion resistance 96 h
- 7th Material safety 1000 N
- 8th Bar protrusion up to 100 mm
- 9th Activation type with touch bar
- 10th Suitable for one- or two-leaved doors



0425



ICIM S.p.A. - Identification number: 0425

Piazza Don Enrico Mapelli, 75 - 20099 Sesto San Giovanni (MI) - ITALY

Certificato di costanza delle prestazioni Certificate of constancy of performance

Certificato N. **0425 - CPR - 001308**
Certificate No.

In conformità al Regolamento 305/2011/UE del Parlamento Europeo e del Consiglio del 9 marzo 2011 (Regolamento Prodotti da Costruzione o CPR), questo certificato si applica al prodotto da costruzione.
In compliance with Regulation 305/2011/UE of the European Parliament and of the Council of 9 March 2011 (the Construction Products Certification or CPR), this certificate applies to the construction product.

Dispositivi per le uscite antipanico azionati mediante una barra orizzontale per l'utilizzo sulle vie di esodo
Panic exit devices operated by a horizontal bar, for use on escape routes

SERIE / SERIES: SLASH, SLASH AR, SLASH ALU, SLASH ALU AR, SLASH INOX, SLASH INOX AR
MODELLI / MODELS: Si veda allegato / See annex

Caratteristiche: vedi Allegato / Characteristics: see Annex
IMMESSO SUL MERCATO CON IL NOME O IL MARCHIO DI
PLACED ON THE MARKET UNDER THE NAME OR TRADE MARK OF

NINZ S.p.A.

SEDE LEGALE / HEAD OFFICE: Corso Trento, 2/A - 38061 ALA (TN) - ITALY

UNITÀ OPERATIVA / PRODUCTION UNIT: Corso Trento, 2/A - 38061 ALA (TN) - ITALY

Questo certificato attesta che tutte le disposizioni riguardanti la valutazione e la verifica della costanza della prestazione e le prestazioni descritte nell'allegato ZA della norma.
This certificate attests that all provisions concerning the assessment and verification of constancy of performance and the performances described in Annex ZA of the standard

EN 1125:2008 + EC1:2009
nell'ambito del sistema 1 di cui al presente certificato vengono applicati e che il controllo di produzione in fabbrica condotto dal produttore è valutato al fine di garantire la
under system 1 set out in this certificate are applied and that the factory production control conducted by the manufacturer is assessed to ensure the

COSTANZA DELLA PRESTAZIONE DEL PRODOTTO DA COSTRUZIONE CONSTANCY OF PERFORMANCE OF THE CONSTRUCTION PRODUCT

Questo certificato è stato emesso per la prima volta il 31/05/2007 e ha validità sino a che la norma armonizzata, il prodotto da costruzione, i metodi ACQP e le condizioni di produzione nello stabilimento non subiscano modifiche significative, o sino a che non venga sospeso o ritirato dall'organismo di certificazione notificato ICIM S.p.A.
This certificate was first issued on 31/05/2007 and will remain valid as long as neither the harmonized standard, the construction product, the ACQP methods nor the manufacturing conditions in the plant are modified significantly, unless suspended or withdrawn by the notified product certification body ICIM S.p.A.

Il presente Certificato è da ritenersi valido solo se accompagnato dal relativo Allegato / This Certificate is valid only with the relative Annex

ICIM S.p.A.
Direttore Tecnico

EMMISSIONE / ISSUE:
22/06/2017

ICIM S.p.A. - Piazza Don Enrico Mapelli, 75 - 20099 Sesto San Giovanni (MI)

SLASH IN BLACK PLASTIC

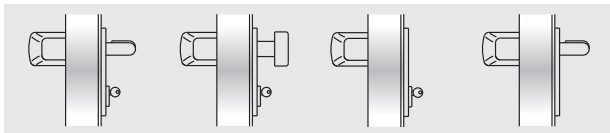


Description

The SLASH panic bar consists of an anodized aluminium horizontal bar and an internal connection tube that inserts into the mechanisms which activate the lock.

- Reversible for right or left opening
- For application to single leaf and two-leaved doors
- Suited for Rever/Univer/Proget doors and other types of panic exit doors
- The horizontal bar is made of extruded anodized aluminium with an elliptical cross-section measuring 40x20mm and a length of 1150mm, equipped with a connection tube
- The two mechanisms are made of galvanized steel with black plastic carter covers, one of which has a green label that identifies the lock side
- The lock is anti-panic/fire rated for Euro profile cylinders
- The door furnitures and the cover plates are made of black plastic, while the installation plate is made of galvanized steel

VERSIONS AVAILABLE

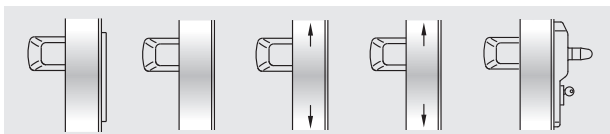


BM

BSP

BS

BMC



BC

B

A

AR

ELM

VARIATIONS ON REQUEST (see dedicated page)

- Aluminium bar painted in RAL colors
- External BM, BSP, BS, BMC and BC commands in brushed stainless steel, standard or "Sertos" version* (only for Proget doors)
- Three-point locking mechanism
- External BM and BSP commands painted in RAL colors
- MAC1 panic lock with access control mode, combinable with BM versions
- Mastered or encoded cylinders
- Microswitch and cable sleeve for signaling when the door is open

* see "Accessories, stainless steel handles"; in case of "Sertos" version the opening direction needs to be indicated

SLASH (SUPPLIED WITH THE DOOR, ONLY FOR PROGET DOORS)

For single leaf or the active leaf of two-leaved doors:

Included (mounted on the door): the anti-panic lock with 65mm entrance and the strike box lock insert

Included (in the package): Nr. 2 mechanisms, Nr. 2 black plastic carter covers, Nr. 1 anodized aluminium bar with connection tube and spacer, Nr. 1 hole cover in RAL 9006 colored plastic with base plate (for ELM version), Nr. 1 black plastic external door furniture, Nr. 1 half-cylinder with 3 keys, Nr. 1 drilling template, Nr. 1 adhesive pictogram (green arrow), Nr. 1 set of installation/maintenance instructions

Versions available: BM, BSP, BS, BMC, BC, B (for Proget doors only), ELM ELM electric handle: see the dedicated pages

For the inactive leaf of two-leaved doors:

Included (mounted on the door): anti-panic safety lock with 80mm entrance, the upper re-latch device, the upper strike plate and the vertical rods

Included (in the package): Nr. 2 mechanisms, Nr. 2 black plastic carter covers, Nr. 1 anodized aluminium bar with connection tube and spacer, Nr. 1 floor-mounted floor catch, Nr. 1 carrier arm (for fire doors only), Nr. 1 drilling template, Nr. 1 adhesive pictogram (green arrow), Nr. 1 set of installation/maintenance instructions

Versions available: A, AR (reduced) for inactive leaves with FM L2 width ≤ 500mm

SLASH KIT (SUPPLIED SEPARATELY FROM THE DOOR)

KIT for single leaf or the active leaf of two-leaved doors:

KIT contents: Nr. 1 anti-panic lock with 65mm entrance, Nr. 1 strike box lock insert, Nr. 2 mechanisms, Nr. 2 black plastic carter covers, Nr. 1 anodized aluminium bar with connection tube and spacer, Nr. 1 hole cover in RAL 9006 colored plastic with base plate, Nr. 1 black plastic external door furniture, Nr. 1 half-cylinder with 3 keys, Nr. 1 drilling template, Nr. 1 adhesive pictogram (green arrow), Nr. 1 set of installation/maintenance instructions

Versions available: BM, BSP, BS, BMC, BC

KIT for the inactive leaf of two-leaved doors, suited for REVER, UNIVER and PROGET fire and multipurpose doors (produced after 01.01.2005):

KIT contents: Nr. 1 anti-panic safety lock with 80mm entrance, Nr. 2 mechanisms, Nr. 2 black plastic carter covers, Nr. 1 anodized aluminium bar with connection tube and spacer, Nr. 1 upper re-latch device, Nr. 1 floor-mounted floor catch, Nr. 1 carrier arm (excluding REVER), Nr. 1 drilling template, Nr. 1 adhesive pictogram (green arrow), Nr. 1 set of installation/maintenance instructions

Versions available: A, AR (reduced) for use with inactive leaves with FM L2 width ≤ 500mm

KIT for the inactive leaf of two-leaved doors and suited for other types of multipurpose doors and for substitution of non CE marked panic bars (PROGET doors):

KIT contents: Nr. 1 anti-panic safety lock with 80mm entrance, Nr. 2 mechanisms, Nr. 2 black plastic carter covers, Nr. 1 anodized aluminium bar with connection tube and spacer, Nr. 1 upper re-latch device, Nr. 1 upper strike plate, vertical rods, Nr. 1 floor-mounted floor catch, Nr. 1 carrier arm, Nr. 1 drilling template, Nr. 1 adhesive pictogram (green arrow), Nr. 1 set of installation/maintenance instructions

Versions available: A, AR (reduced) for use with inactive leaves with FM L2 width ≤ 500mm

SLASH IN ALUMINIUM



Description

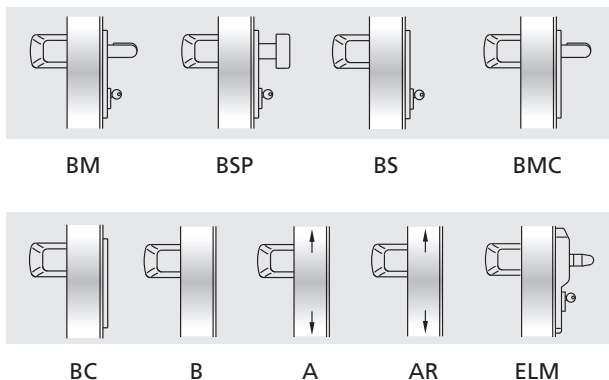
The SLASH ALU panic bar consists of an anodized aluminium horizontal bar and an internal connection tube that inserts into the mechanisms which activate the lock.

- Reversible for right or left opening
- For application to single leaf and two-leaved doors
- Suited for Rever/Univer/Proget doors and other types of panic exit doors
- The horizontal bar is made of extruded anodized aluminium with an elliptical cross-section measuring 40x20mm and a length of 1150mm, equipped with a connection tube
- The two mechanisms are made of galvanized steel with aluminium alloy carter covers with polished chrome finishing, one of which has a green label to identify the lock side
- The lock is anti-panic/fire rated for Euro profile cylinders
- The external door furnitures and related cover plates are made of AISI 304 brushed stainless steel, while the installation plate is made of galvanized steel
- The carters are finished with tri-valent chrome in compliance with the ROHS regulation

NOTE

It is not advisable to use the anti-panic bar SLASH ALU for marine environments or in particularly humid areas. For these situations the use of the anti-panic bar SLASH S.S. is recommended.

VERSIONS AVAILABLE



VARIATIONS ON REQUEST (see dedicated page)

- Aluminium bar painted in RAL colors
- External BM, BSP, BS, BMC and BC commands in brushed stainless steel, standard or "Sertos" version* (only for Proget doors)
- Three-point locking mechanism
- MAC1 panic lock with access control system, combinable with BM versions
- Mastered or encoded cylinders
- Microswitch and cable sleeve for signaling when the door is open

SLASH ALU (SUPPLIED WITH THE DOOR, ONLY FOR PROGET DOORS)

For single leaf or the active leaf of two-leaved doors:

Included (mounted on the door): the anti-panic lock with 65mm entrance and the strike box lock insert

Included (in the package): Nr. 2 mechanisms, Nr. 2 polished chrome aluminium carter covers, Nr. 1 anodized aluminium bar with connection tube and spacer, Nr. 1 hole cover in black plastic with base plate (for ELM version), Nr. 1 stainless steel external door furniture, Nr. 1 half-cylinder with 3 keys, Nr. 1 drilling template, Nr. 1 adhesive pictogram (green arrow), Nr. 1 set of installation/maintenance instructions

Versions available: BM, BSP, BS, BMC, BC, B (for Proget doors only), ELM ELM electric handle: see the dedicated pages

For the inactive leaf of two-leaved doors:

Included (mounted on the door): anti-panic safety lock with 80mm entrance, the upper re-latch device, the upper strike plate and the vertical rods

Included (in the package): Nr. 2 mechanisms, Nr. 2 polished chrome aluminium carter covers, Nr. 1 anodized aluminium bar with connection tube and spacer, Nr. 1 floor-mounted floor catch, Nr. 1 carrier arm (for fire doors only), Nr. 1 drilling template, Nr. 1 adhesive pictogram (green arrow), Nr. 1 set of installation/maintenance instructions

Versions available: A, AR (reduced) for inactive leaves with FM L2 width ≤ 500mm

SLASH ALU KIT (SUPPLIED SEPARATELY FROM THE DOOR)

KIT for single leaf or the active leaf of two-leaved doors:

KIT contents: Nr. 1 anti-panic lock with 65mm entrance, Nr. 1 strike box lock insert, Nr. 2 mechanisms, Nr. 2 polished chrome aluminium carter covers, Nr. 1 anodized aluminium bar with connection tube and spacer, Nr. 1 hole cover in black plastic with base plate, Nr. 1 stainless steel external door furniture, Nr. 1 half-cylinder with 3 keys, Nr. 1 drilling template, Nr. 1 adhesive pictogram (green arrow), Nr. 1 set of installation/maintenance instructions

Versions available: BM, BSP, BS, BMC, BC

KIT for the inactive leaf of two-leaved doors, suited for REVER, UNIVER and PROGET fire and multipurpose doors (produced after 01.01.2005): specify door type on the order form

KIT contents: Nr. 1 anti-panic safety lock with 80 mm entrance, Nr. 2 mechanisms, Nr. 2 polished chrome aluminium carter covers, Nr. 1 anodized aluminium bar with connection tube and spacer, Nr. 1 upper re-latch device, Nr. 1 floor-mounted floor catch, Nr. 1 carrier arm (excluding REVER), Nr. 1 drilling template, Nr. 1 adhesive pictogram (green arrow), Nr. 1 set of installation/maintenance instructions

Versions available: A, AR (reduced) for use with inactive leaves with FM L2 width ≤ 500mm

KIT for the inactive leaf of two-leaved doors and suited for other types of multipurpose doors and for substitution of non CE marked panic bars (PROGET doors):

KIT contents: Nr. 1 anti-panic safety lock with 80mm entrance, Nr. 2 mechanisms, Nr. 2 polished chromed aluminium carter covers, Nr. 1 anodized aluminium bar with connection tube and spacer, Nr. 1 upper re-latch device, Nr. 1 upper strike plate, vertical rods, Nr. 1 floor-mounted floor catch, Nr. 1 carrier arm, Nr. 1 drilling template, Nr. 1 adhesive pictogram (green arrow), Nr. 1 set of installation/maintenance instructions

Versions available: A, AR (reduced) for use with inactive leaves with FM L2 width ≤ 500mm

* see "Accessories, stainless steel handles"; in case of "Sertos" version the opening direction needs to be indicated

SLASH IN STAINLESS STEEL

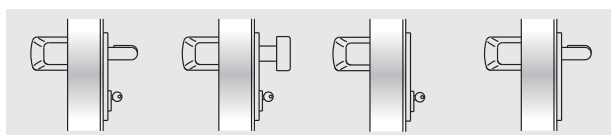


Description

The SLASH STAINLESS STEEL panic bar consists of a stainless steel horizontal bar and an internal connection tube that inserts into the mechanisms which activate the lock.

- Optimal corrosion and shock resistance
- State of the art aesthetics
- Secure attachment of carter covers
- Reversible for right or left opening
- For application to single leaf and two-leaved doors
- Suited for Rever/Univer/Proget doors and other types of panic exit doors
- The horizontal bar is made of AISI 304 brushed stainless steel with a 40x20mm elliptical cross-section and a length of 1150mm, equipped with a connection tube
- The two mechanisms are made of galvanized steel with AISI 304 stainless steel cover plates, one of which has a green label that identifies the lock side
- The lock is anti-panic/fire rated for Euro profile cylinders
- The external door furnitures and related cover plates are made of AISI 304 brushed stainless steel, while the installation plate is made of galvanized steel

VERSIONS AVAILABLE

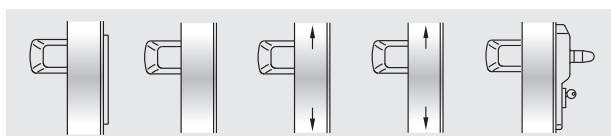


BM

BSP

BS

BMC



BC

B

A

AR

ELM

VARIATIONS ON REQUEST (see dedicated page)

- External BM, BSP, BS, BMC and BC commands in brushed stainless steel, standard or "Sertos" version* (only for Proget doors)
- Three-point locking mechanism
- MAC1 panic lock with access control system, combinable with BM versions
- Mastered or coded cylinders
- Microswitch and cable sleeve for signaling when the door is open

* see "Accessories, stainless steel handles"; in case of "Sertos" version the opening direction needs to be indicated

SLASH STAINLESS STEEL (SUPPLIED WITH THE DOOR, ONLY FOR PROGET DOORS)

For single leaf or the active leaf of two-leaved doors:

Included (mounted on the door): the anti-panic lock with 65mm entrance and the strike box lock insert

Included (in the package): Nr. 2 mechanisms, Nr. 2 stainless steel carter covers, Nr. 1 stainless steel bar with connection tube and spacer, Nr. 1 hole cover in black-colored plastic with base plate (for ELM version), Nr. 1 stainless steel external door furniture, Nr. 1 half-cylinder with 3 keys, Nr. 1 drilling template, Nr. 1 adhesive pictogram (green arrow), Nr. 1 set of installation/maintenance instructions

Versions available: BM, BSP, BS, BMC, BC, B (for Proget doors only), ELM ELM electric handle: see the dedicated pages

For the inactive leaf of two-leaved doors:

Included (mounted on the door): anti-panic safety lock with 80mm entrance, the upper re-latch device, the upper strike plate and the vertical rods

Included (in the package): Nr. 2 mechanisms, Nr. 2 stainless steel carter covers, Nr. 1 stainless steel bar with connection tube and spacer, Nr. 1 floor-mounted floor catch, Nr. 1 carrier arm (for fire doors only), Nr. 1 drilling template, Nr. 1 adhesive pictogram (green arrow), Nr. 1 set of installation/maintenance instructions

Versions available: A, AR (reduced) for inactive leaves with FM L2 width ≤ 500mm

SLASH STAINLESS STEEL KIT (SUPPLIED SEPARATELY FROM THE DOOR)

KIT for single leaf or the active leaf of two-leaved doors:

KIT contents: Nr. 1 anti-panic lock with 65mm entrance, Nr. 1 strike box lock insert, Nr. 2 mechanisms, Nr. 2 stainless steel carter covers, Nr. 1 stainless steel bar with connection tube and spacer, Nr. 1 hole cover in black plastic with base plate, Nr. 1 stainless steel door furniture, Nr. 1 half-cylinder with 3 keys, Nr. 1 drilling template, Nr. 1 adhesive pictogram (green arrow), Nr. 1 set of installation/maintenance instructions

Versions available: BM, BSP, BS, BMC, BC

KIT for the inactive leaf of two-leaved doors, suited for REVER, UNIVER and PROGET fire and multipurpose doors (produced after 01.01.2005): specify door type on the order form

KIT contents: Nr. 1 anti-panic safety lock with 80mm entrance, Nr. 2 mechanisms, Nr. 2 stainless steel carter covers, Nr. 1 stainless steel bar with connection tube and spacer, Nr. 1 upper re-latch device, Nr. 1 floor-mounted floor catch, Nr. 1 carrier arm (excluding REVER), Nr. 1 drilling template, Nr. 1 adhesive pictogram (green arrow), Nr. 1 set of installation/maintenance instructions

Versions available: A, AR (reduced) for use with inactive leaves with FM L2 width ≤ 500mm

KIT for the inactive leaf of two-leaved doors and suited for other types of multipurpose doors and for substitution of non CE marked panic bars (PROGET doors):

KIT contents: Nr. 1 anti-panic safety lock with 80mm entrance, Nr. 2 mechanisms, Nr. 2 stainless steel cover plates, Nr. 1 stainless steel bar with connection tube and spacer, Nr. 1 upper re-latch device, Nr. 1 upper strike plate, vertical rods, Nr. 1 floor-mounted floor catch, Nr. 1 carrier arm, Nr. 1 drilling template, Nr. 1 adhesive pictogram (green arrow), Nr. 1 set of installation/maintenance instructions

Versions available: A, AR (reduced) for use with inactive leaves with FM L2 width ≤ 500mm

General information

Panic bars - System components

COMPONENTS OF THE CERTIFIED SYSTEM

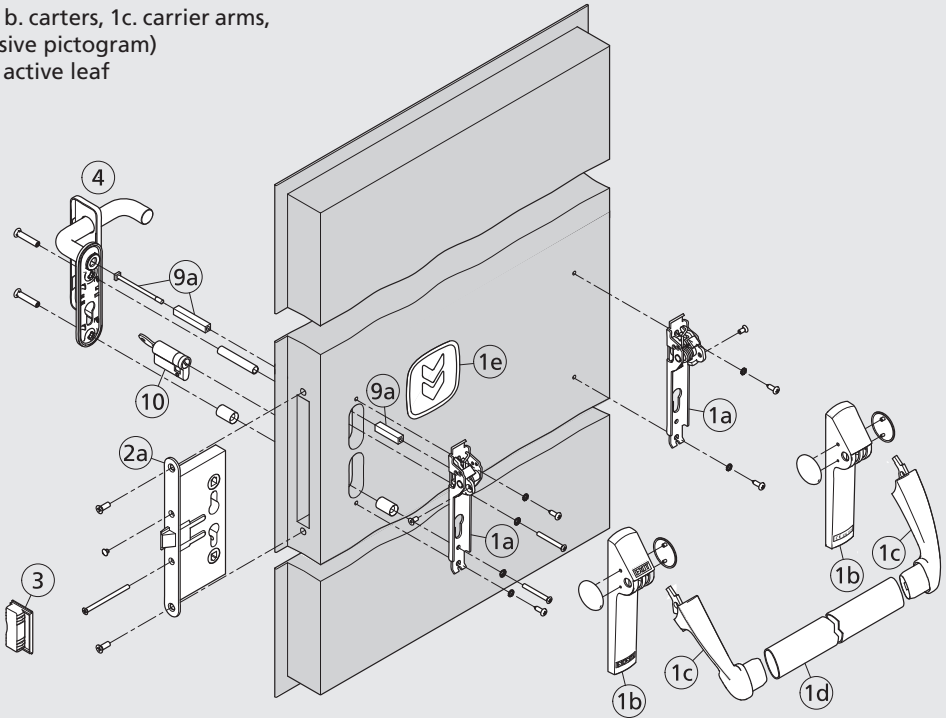
All NINZ panic bars are supplied in complete KITS to ensure conformity with EN 1125:2008-EC1:2009 standards and CE certification of the product. When supplied together with the door, several of these components are already mount-

ed on the leaf and/or doorframe.

The purpose of the following examples is to help clarify what panic bars must include to comply with certified samples.

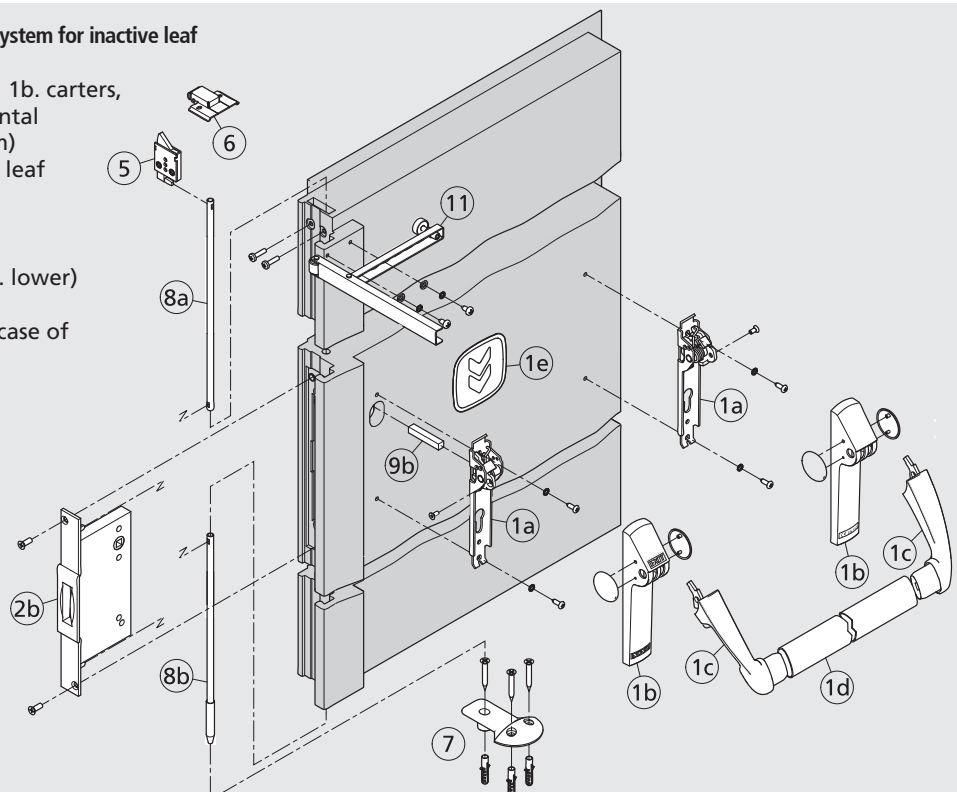
Certified components of the EXUS system for one-leaved doors:

1. panic bar (1a. mechanisms, 1b. carters, 1c. carrier arms, 1d. horizontal bar, 1e. adhesive pictogram)
- 2a. panic safe lock for single or active leaf
3. strike box lock
4. external operation
- 9a. square spindle
10. half cylinder or cylinder to pass



Certified components of the EXUS system for inactive leaf of two-leaved doors:

1. panic bar (1a. mechanisms, 1b. carters, 1c. carrier arms, 1d. horizontal bar, 1e. adhesive pictogram)
- 2b. panic safe lock for inactive leaf
5. upper bolt device
6. strike box with roller
7. floor catch set
8. vertical rods (8a. upper, 8b. lower)
- 9b. square spindle
11. carrier arm (mandatory in case of fire-rated doors only)



Variations on request

For panic bars

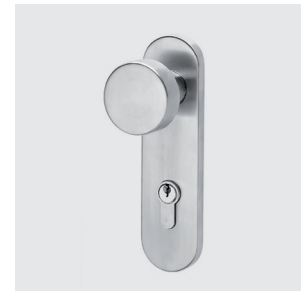
STAINLESS STEEL EXTERNAL DOOR FURNITURE

For all black plastic exit devices (except for those designed for glazed doors), brushed stainless steel external BM, BSP, BS BMC and BC commands are available on request with standard or „Sertos“ mechanism.

NOTE
see “Accessories, stainless steel handles”; in case of “Sertos” mechanism the opening direction needs to be indicated



BM stainless steel



BSP stainless steel

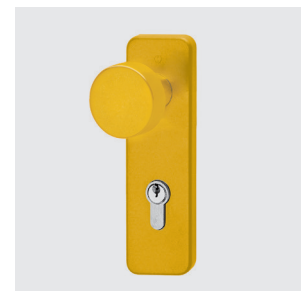
COLORED PLASTIC EXTERNAL DOOR FURNITURE

For all black plastic exit devices (except for those designed for glazed doors), painted plastic external BM and BSP commands are available on request.

Colors available:					
RAL	RAL	RAL	RAL	RAL	
1023	7016	7035	9006*	9010	*light aluminium



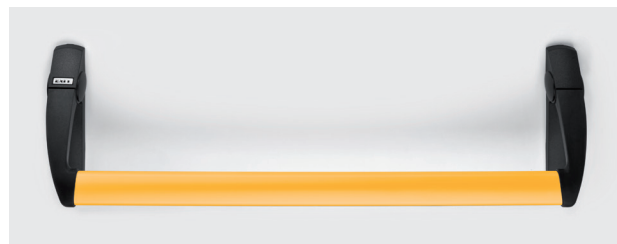
BM colored RAL1023



BSP colored RAL1023

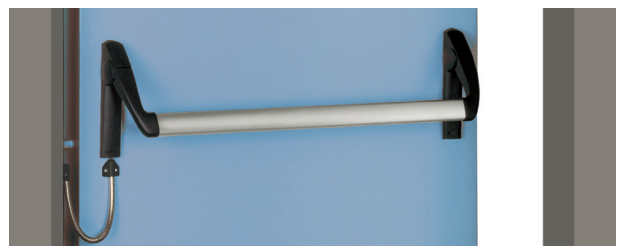
PAINTED HORIZONTAL BAR

For all exit devices (except for those with a stainless steel bar), the aluminium horizontal bar may be painted in the RAL color of your choice.



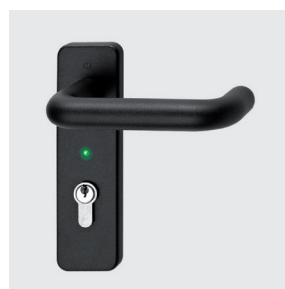
VERSION „E“ WITH MICROSWITCH

All exit devices may be equipped with a microswitch incorporated in the hinge side mechanism for signaling when the door is open. The cable and cable sleeve for the electrical connection between the exit device and the wall are included.



MAC1® AND MAC1® FAILSAFE ACCESS CONTROL SYSTEMS

For all exit devices with type BM external door furniture (except for those designed for glazed doors), the panic lock is also available with the access control function. Delivery together with the door includes the following: the MAC1 or MAC1 FAILSAFE lock, external command with LED, internal cabling of the leaf and the electric contacts between the door leaf and door frame. In case of delivery as a Kit with panic bar instead of the internal cabling and the electric contacts a power supply cable and a flexible cable sleeve will be supplied.



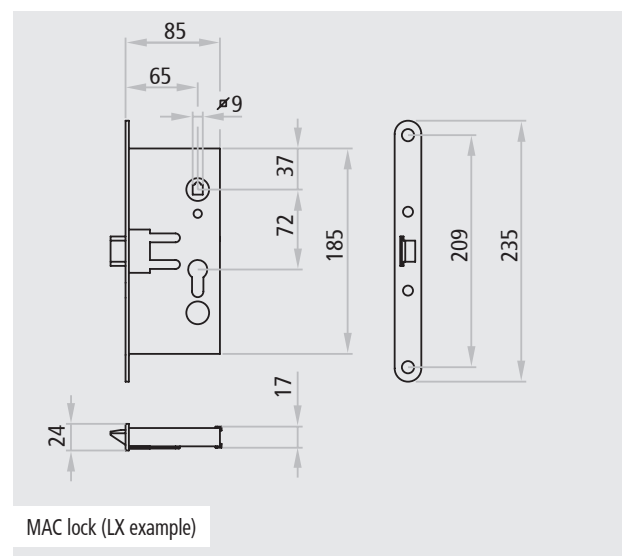
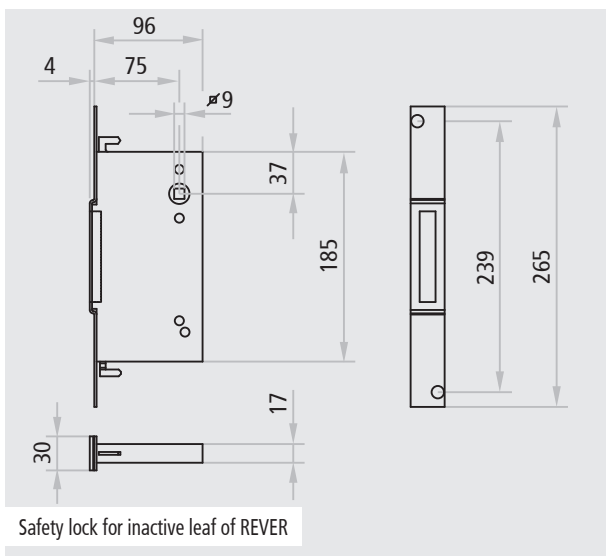
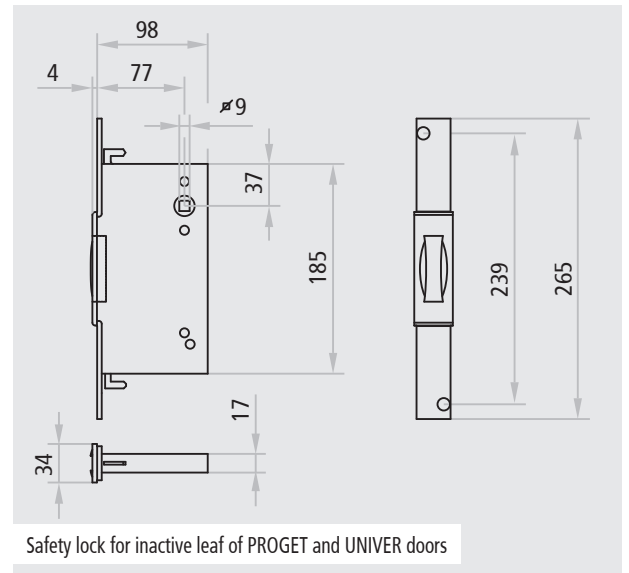
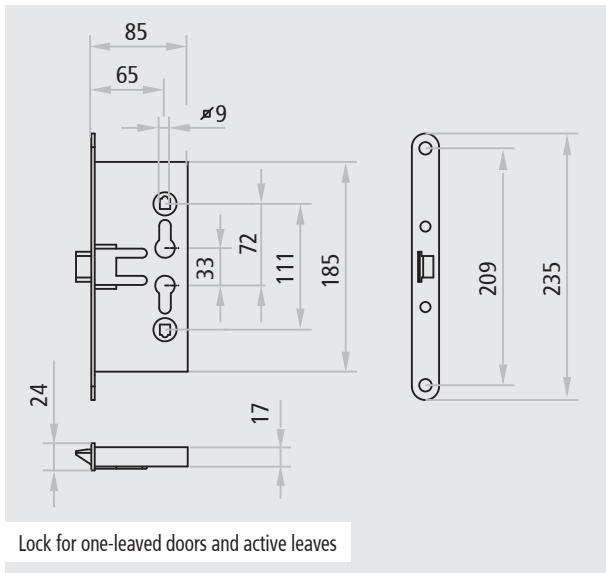
Handle for MAC1 and MAC1 FAILSAFE locks with LEDs

For sizes, information and technical data consult the dedicated pages

Dimensional drawings

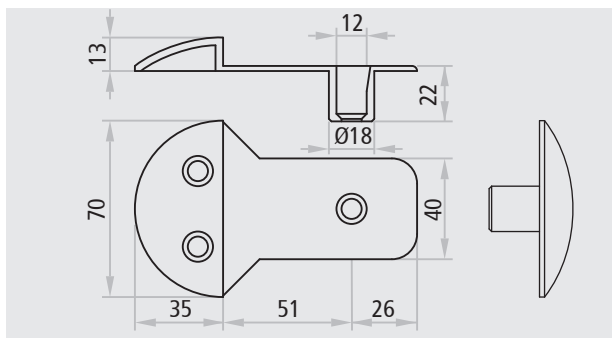
For panic bar components

Article Nr.	Description
3201001.016	Lock for one-leaved doors and active leaves (AP 16/18)
3201001.024	Safety lock for inactive leaves (AP 020 P)
3201001.008	Safety lock for inactive leaves of REVER (AP 020 U)
3201001.041	MAC1 Left lock
3201001.042	MAC1 Right lock
2401001.001	Lower floor catch for inactive leaf of PROGET and other multipurpose doors
3105019.001	Lower floor catch for inactive leaf of UNIVER
3105020.001	Lower floor catch for inactive leaf of REVER
2401006.001	Strike plate insert for one-leaved PROGET and other multipurpose doors
3105080.001	Upper re-latch device for inactive leaf of PROGET and other multipurpose doors
3105024.001	Upper re-latch device for inactive leaf of UNIVER and REVER
2401046.001	Upper strike box for inactive leaf of PROGET and other multipurpose doors
3305001.001	Carrier arm for inactive leaf

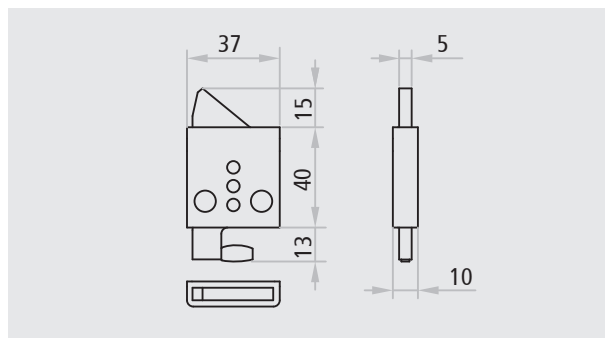


Dimensional drawings

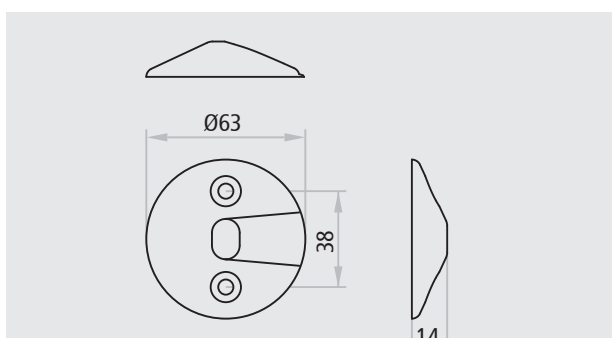
For panic bar components



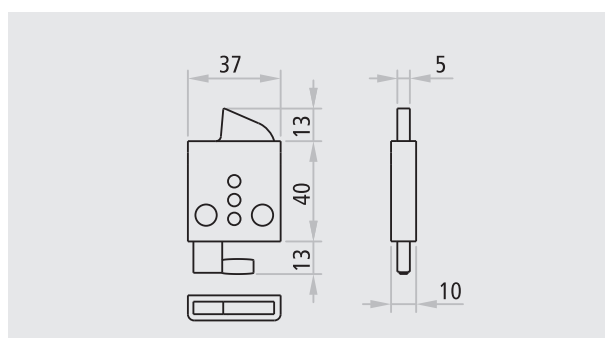
Lower floor catch for inactive leaf of PROGET and other multipurpose doors



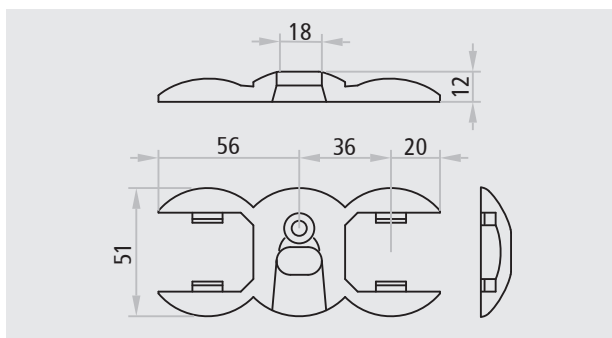
Upper re-latch device for inactive leaf of PROGET and other multipurpose doors



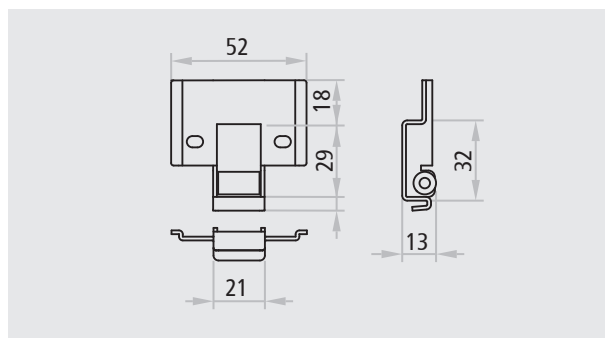
Lower floor catch for inactive leaf of UNIVER



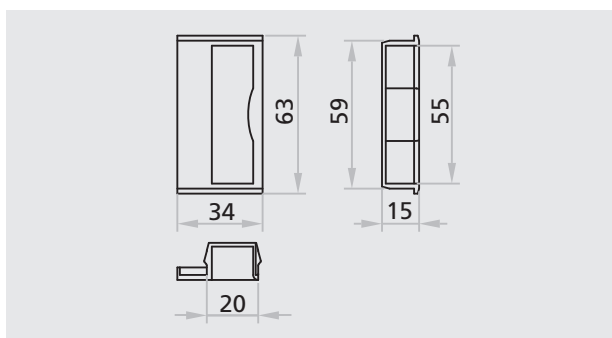
Upper re-latch device for inactive leaf of UNIVER and REVER



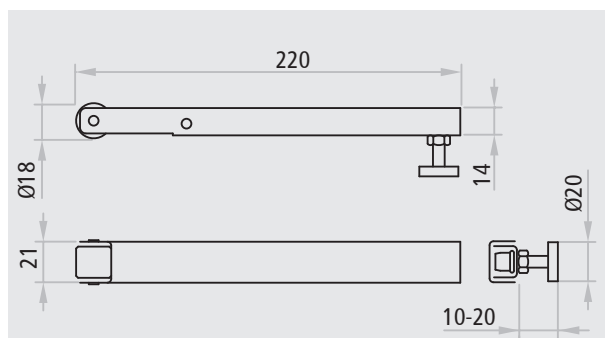
Lower floor catch for inactive leaf of REVER



Upper strike box for inactive leaf of PROGET and other multipurpose doors



Strike box lock insert for one-leaved doors of PROGET and other multipurpose doors



Carrier arm for inactive leaf